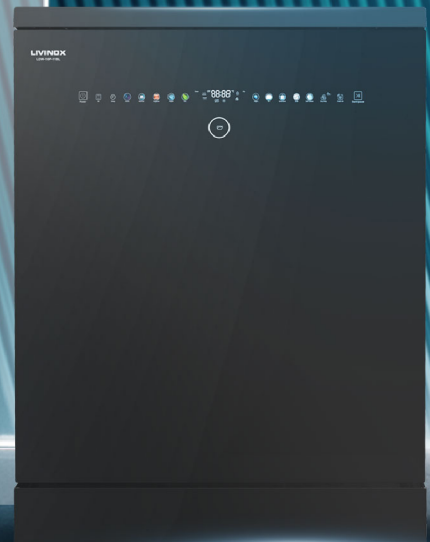


GERMANY 

# LIVINOX

FOR A BETTER LIFESTYLE



# FOR A BETTER

## COOKING RANGE

KITCHEN APPLIANCES SERIES | 2025 VER 1.0 | PRODUCT SERIES & MODELS

### Kitchen Hood Series

<b>SmartCook Collection</b>	06 - 07	<b>T Shape Hood</b>	18 - 19
<b>Nano Matte Collection</b>	08 - 09	LCH-METAL DC-90GM	
<b>Bubble Wash Collection</b>	10 - 11	LCH-MARBLE DC-90BL	
		LCH-ROCK-X-90BL	
<b>L Shape Hood</b>	12 - 14	<b>Island Hood</b>	20 - 21
LCH-ANGEL DC-90FB		LCH-8145I-CG	
LCH-SUGI DC-90FB		LCH-8245I-CG	
LCH-MICA-XDC-90BL		LCH-800I-90SS	
LCH-ROSEDC-90BL			
LCH-COPPERDC-GM-90			
<b>Compact Slanted Hood</b>	15 - 16	<b>Slim Hood</b>	22 - 23
LCH-JOLI-90BL		LCH-620-76B	
LCH-BARTEK DC-90BL		LCH-620-90B	
LCH-DARLEY DC-90BL		LCH-627-75B	
LCH-90SW-GM		LCH-627-90B	
LCH-EBONY-90BL		LCH-920-76BL	
		LCH-920-90BL	
		LCH-60L03	
		LCH-90L03	
		LCH-601A-60SS	
		LCH-601A-90SS	
		LCH-601A-90BL	
<b>Slanted Hood</b>	17		
LCH-LILY DC-90BL			
LCH-NITE DC-90FB			

# LIFESTYLE

### Cooker Hob Series

<b>5 Burner Collection</b>	26 - 27
<b>Intelligent Flame Sense Collection</b>	28 - 29
<b>Gas Hob</b>	30 - 35
LGH-OAK 2BFT-BL	
LGH-OAK 3BFT-BL	
LGH-NT328 2B-GR	
LGH-NT338 3B-GR	
LGH-ALDER 2BFT-BL	
LGH-328T 2B-BL	
LGH-338T 3B-BL	
LGH-MAPLE 2BA-BL	
LGH-HOLLY 2BF-BL	
LGH-PEBBLE 2B-BL	
LGH-438B 2B-SL	
LGH-438G 2B-SL	
LGH-428 2B-SS	
LGH-TEAK 2BF-SS	
LGH-CEDAR 2BF-BL	
LGH-EURECA 2B	
<b>Electric Hob</b>	36 - 38
LEH-5118ICS	
LEH-4118ICS	
LEH-3218CS	
LEH-3118CS	
LEH-3318CS	
LEH-3000C	
LEH-2000I	

### Oven Series

<b>Combi Oven</b>	40
LCO-SB8-70	
LCO-SB6A-50	
<b>Built-In Oven</b>	41 - 43
LBO-LINOX 18F-75SS	
LBO-LINOX 9E4T-87SS	
LBO-LINOX 10F-75GM	
LBO-LINOX 10F-75BL	
LBO-LINOX 6F-75SS	
LBO-306-60BL	
LSO-A428-SS	

### Microwave Series

LMW-925-BL	44
LMW-928	
LMW-259X-BL	

### Range Cooker Series

LFC-9609-110SS	45
LFC-9607-110B	

### Dishwasher Series

LDW-16P-11BL	46 - 47
LDW-14P-8BL	

### Charcoal Filter

48

### Technical Diagram

48 - 55

# Efficiency Meets *Innovation*

Experience the future of cooking with our cutting-edge kitchen hood technologies



## i-Sync

The i-Sync function is an intelligent feature that connects the hood and hob, enabling the hood to automatically activate when the hob is turned on. It also adjusts fan speed in real time to match your cooking. Enjoy hands-free convenience with efficient smoke and odor removal.



## BLDC Motor

Delivers powerful suction with high energy efficiency and low noise. The brushless design ensures a longer lifespan, smoother operation, and consistent performance. Making your kitchen hood more reliable, durable, and eco-friendly.



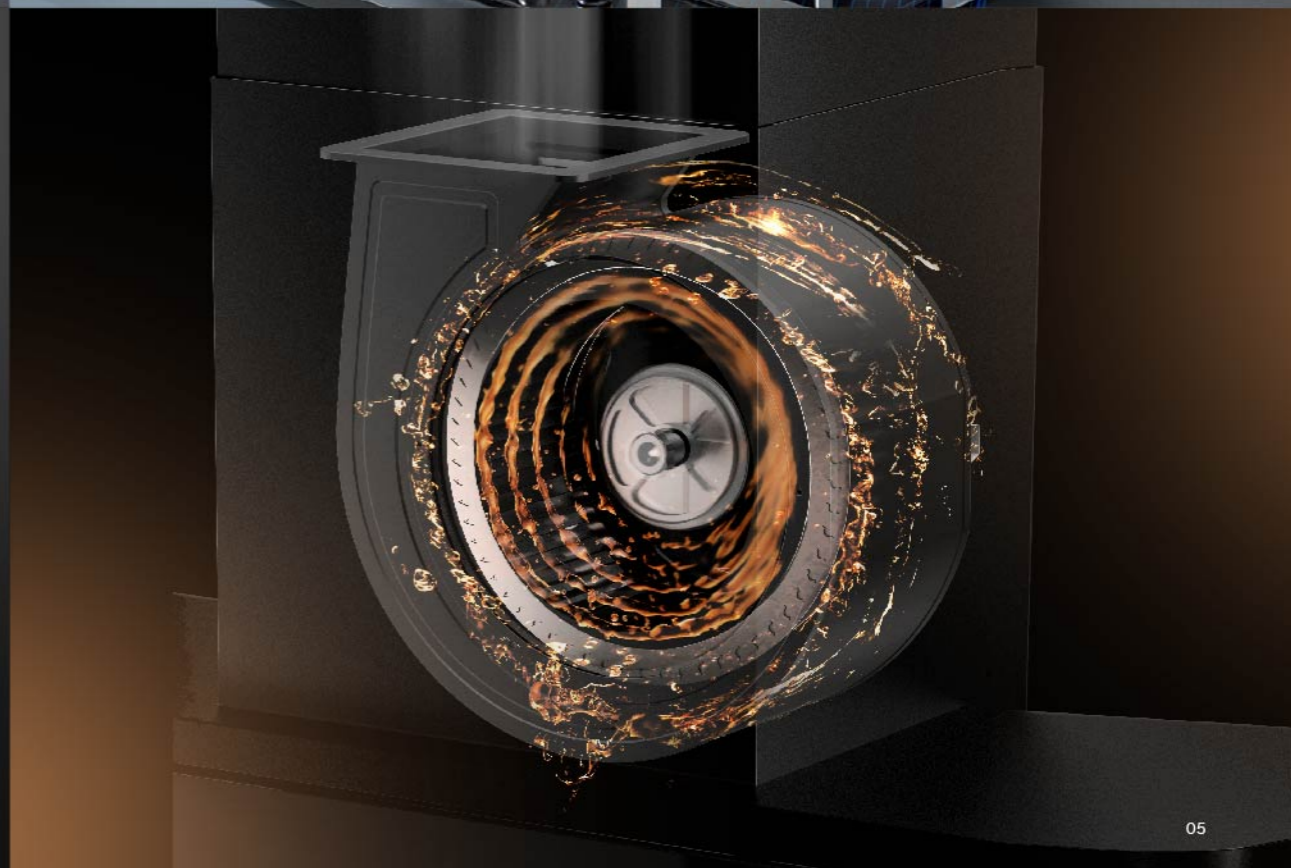
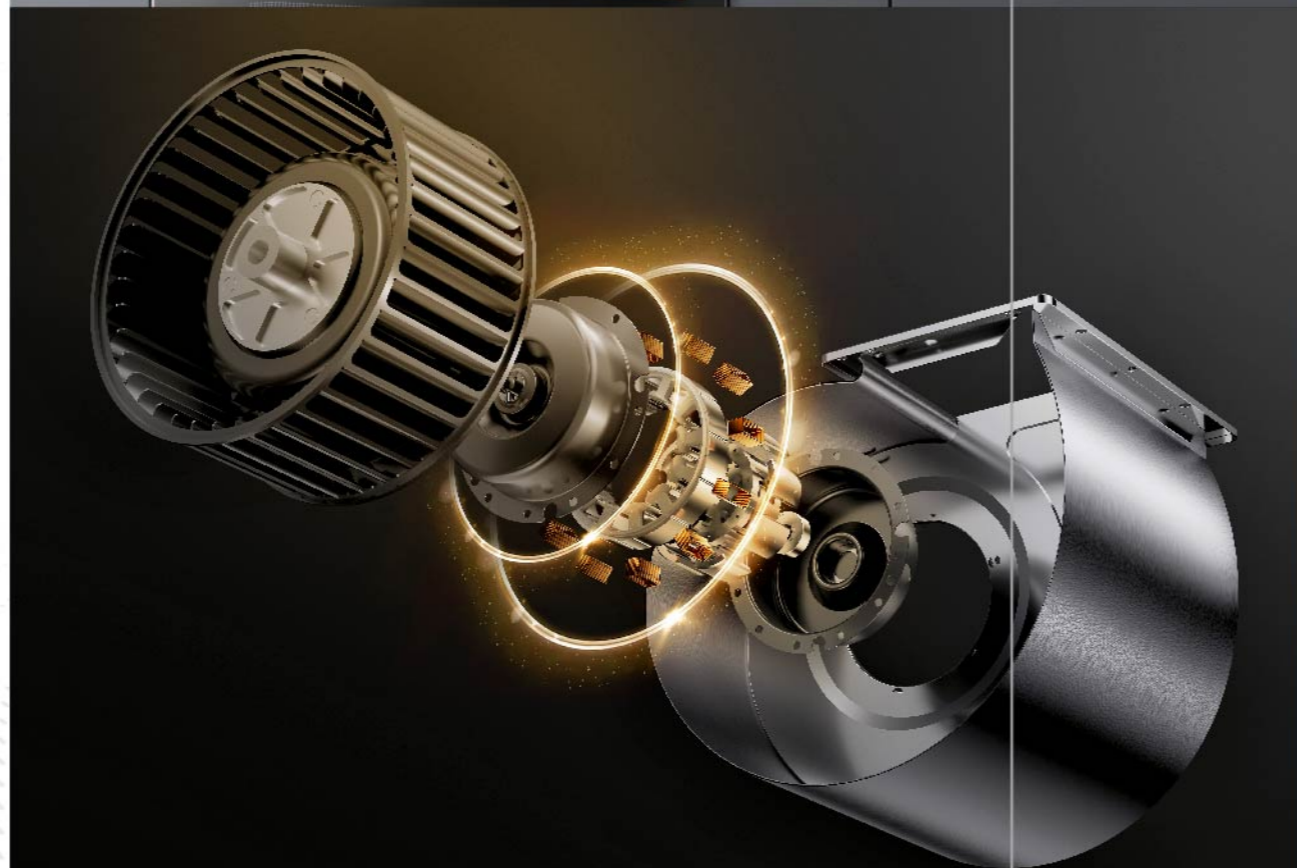
## Intelligent Air Sense

An intelligent system that automatically adjusts the kitchen hood's suction power when the cooker hob's burner power increases, ensuring efficient ventilation at all times.



## One Touch Auto-Cleaning

Simplifies maintenance with a single press, activating an internal cycle that removes grease and buildup. This keeps the hood running efficiently, extends its lifespan, and minimizes the need for manual cleaning.

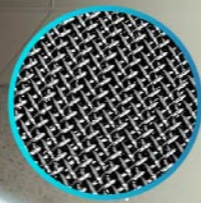


SmartCook Collection

Sync. Cook. Delight.



**BLDC Motor Technology**  
Our latest Brushless DC motor technology. Engineered for stability and durability.



up to **98%**  
Oil Filtration Rate



LED Display Control Panel



**4 in 1 Combi Oven**  
Smart combination of steam, grill, convection and bake in a single unit



LIVINOX  
LGS-SH40-68

**SmartCook Duo**  
• 2 in 1 Innovation with hob & combi oven

Kitchen Hood

+

Cooker Hob

+

Oven



L Shape Hood  
**LCH-SH40-90BL**

Matte Black with Rose Gold

**Technical Info**

- Suction Power : 3050m<sup>3</sup>/h
- Motor Type : BLDC Motor
- Fan Speed : 3 Fan Speed + Turbo Mode
- Noise Level : Min 48dB
- Venting Type : Vented
- Product Dimension : L900 x W320 x H940 mm
- Material : Stainless Steel & Tempered Glass

**Features**

- Smart Motion Sensor
- Turbo Mode
- Delay Timer

Retail Price

W.M. RM 6,500 | E.M. RM 6,825

Package Promo Price for LCH-SH40-90BL + LGH-SH40-68D + LGS-SH40-68

W.M. RM 10,688 | E.M. RM 11,223

\*Available through selected authorized dealers



BLDC Motor



One Touch Auto-Cleaning



Intelligent Air Sense



Auto Ignition



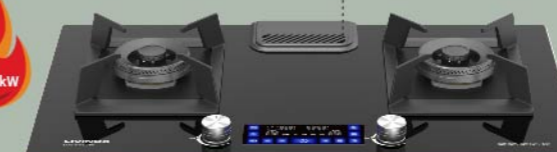
Flame Failure Device (Auto Cut Off)



Smart Timer (L&R Up to 180mins)



Ventilation



SmartCook Duo  
**LGS-SH40-68**

Gas Hob

Matte Black with Rose Gold

**Technical Info**

- Number of Burners : 2x Tornado Burner
- Heat Power (kW) : L:5.2 ; R: 5.2
- Ignition Method : Battery Ignition
- Gas Type Compatibility : LPG
- Pan Support : Cast Iron
- Product Dimension : L820 x W480 mm
- Cut Out Dimension : L700 x W400mm
- Material : 8mm Tempered Glass

Combi Oven

Black with Rose Gold

**Technical Info**

- Cooking Function : 10
- Capacity : 70L
- Temperature Setting : 30 - 230°C
- Rated Power : 3100W
- Pre-Set Timer : Up to 12 Hours
- Control Type : LED Display Control Panel
- Product Dimension : L795 x W530 x H450mm
- Cavity : Enamel Coated

Retail Price

W.M. RM 11,800 | E.M. RM 12,474

Package Promo Price for LGH-SH40-68D + LGS-SH40-68

W.M. RM 7,288 | E.M. RM 7,653

\*Available through selected authorized dealers



10 Functions



80 Pre-set Menu



Child Lock Function

Nano Matte Collection

Cook. Sync. Enjoy.



**One Touch Auto-Cleaning Technology**  
High-temperature cleaning cycle that melts oil and stubborn grease.



**Tornado Burner Technology**  
LIVINOX tornado burner generates a spiral flame that concentrates heat at the pan's core. Ideal for fast stir-frying, boiling, and intense Asian-style cooking.



I-SYNC



Smart Control



LIVINOX

Kitchen Hood

Cooker Hob

Oven



**Compact Slanted Hood LCH-1016-90GM**

Matte Grey



BLDC Motor

- Suction Power : 3050m³/h
- Motor Type : BLDC Motor
- Fan Speed : 3 Fan Speed + Turbo Mode
- Noise Level : Min 46dB
- Venting Type : Vented
- Product Dimension : L896 x W240 x H890mm
- Material : Stainless Steel & Nano Tempered Glass

Retail Price  
**W.M. RM 5,500 | E.M. RM 5,775**  
\*Available through selected authorized dealers



One Touch Auto-Cleaning



Intelligent Air Sense

OR



**Compact Slanted Hood LCH-1025-90GM**

Matte Grey



BLDC Motor

- Suction Power : 3050m³/h
- Motor Type : BLDC Motor
- Fan Speed : 3 Fan Speed + Turbo Mode
- Noise Level : Min 46dB
- Venting Type : Vented
- Product Dimension : L896 x W373 x H658mm
- Material : Stainless Steel & Nano Tempered Glass

Retail Price  
**W.M. RM 5,400 | E.M. RM 5,670**



One Touch Auto-Cleaning



Intelligent Air Sense



Smart Timer (L&R Up to 180mins)



Flame Failure Device (Auto Cut Off)



Auto Ignition

Package Promo Price for LCH-1016-90GM + LGH-2016 2B-GM  
**W.M. RM 4,388 | E.M. RM 4,608**

**Gas Hob LGH-2016 2B-GM**

Matte Grey

- Number of Burners : 2x Tornado Burner
- Heat Power (kW) : L:5.5 ; R: 5.5
- Ignition Method : Battery Ignition
- Gas Type Compatibility : LPG
- Pan Support : Cast Iron
- Product Dimension : L800 x W450mm
- Cut-Out Dimension : L680 x W350mm
- Material : 8mm Nano Coated Tempered Glass

Retail Price  
**W.M. RM 3,400 | E.M. RM 3,670**

Package Promo Price for LCH-1025-90GM + LGH-2016 2B-GM  
**W.M. RM 4,288 | E.M. RM 4,503**



17 Functions



70L Large Capacity



**Oven LBO-3016A-75GM**

Matte Grey

- Cooking Function : 17
- Capacity : 75L
- Temperature Setting : 50 - 250°C
- Rated Power : 2800W
- Pre-Set Timer : Up to 24 Hours
- Control Type : Digital Touch Control Panel
- Cavity : Enamel Coated
- Shelves Side Support : 5 Layer
- Accessories : Rack, Oven Tray, Air Fry Tray
- Glass Door : Removable Triple Layer Glass
- Product Dimension : L598 x W577 x H598mm
- Cut-Out Dimension : L600 x W585 x H600mm

Retail Price  
**W.M. RM 6,800 | E.M. RM 7,140**

Purchase with Purchase  
**W.M. RM 3,588 | E.M. RM 3,768**  
with any Hood + Hob Package



Bake



Grill



Air Fry



Pizza Function

Bubble Wash Collection

*Sync. Sizzle. Serve.*

**Bubble Wash Innovation**  
Experience effortless maintenance with our innovative Bubble Wash function. Rich foam penetrates deep into the hood's internal components, dissolving grease and grime while reducing bacteria by up to 99%

**Advanced Ionizer Purification**  
The built-in ionizer releases negative ions to neutralize smoke, grease, and odors. Keeping your kitchen cleaner and healthier.

**Silver Grey Tempered Glass Finishing**  
Crafted from high-strength tempered glass with a stylish silver-grey finish, combining durability with a sleek, modern kitchen aesthetic.

**Heat-Insulated Enamel Steel Pan Support**  
Durable heavy-duty steel with enamel coating for superior heat resistance and long-lasting support.

Kitchen Hood

Cooker Hob



-   
Bubble Wash
-   
BLDC Motor
-   
Intelligent Air Sense
-   
Clean Oil Cup Reminder

Compact Slanted Hood  
**LCH-MERCURY-90SV**

Silver



- Technical Info**
- Suction Power : 2800m<sup>3</sup>/h
  - Motor Type : BLDC Motor
  - Fan Speed : 3 Fan Speed + Turbo Mode
  - Noise Level : Min 45dB
  - Venting Type : Vented
  - Product Dimension : L896 x W355 x H700mm
  - Material : Galvanized Steel & Nano Tempered Glass

Retail Price  
**W.M. RM 5,400 | E.M. RM 5,670**



\* Scan for product video



-   
Smart Timer  
(Left Only Up to 180mins)
-   
Flame Failure Device  
(Auto Cut Off)

Gas Hob  
**LGH-OLIVE 2BFT-SV**

Silver Grey

- Number of Burners : 2x Sealed Burner
- Heat Power (kW) : L:5.5 ; R: 5.5
- Ignition Method : Auto Ignition
- Smart Timer : Up to 180 mins (Left)
- Gas Type Compatibility : LPG
- Pan Support : Heat-Insulated Enamel Steel
- Product Dimension : L800 x W450mm
- Cut-Out Dimension : L640 x W330mm
- Material : 8mm Tempered Glass

Retail Price  
**W.M. RM 2,500 | E.M. RM 2,625**

Package Promo Price for **LCH-MERCURY-90SV + LGH-OLIVE 2BFT-SV**  
**W.M. RM 3,888 | E.M. RM 4,083**

# L SHAPE HOOD



## LCH-ANGEL DC-90FB



Retail Price  
W.M. RM 6,300 | E.M. RM 6,615

Package Promo Price with Built-in Hob LGH-588T 2B-FG  
**W.M. RM 4,518 | E.M. RM 4,744**

### Features

- Smart Motion Sensor
- Turbo Mode
- Delay Timer
- Wall Panel Protection

### Technical Info

- Suction Power : 2800m<sup>3</sup>/h
- Motor Type : BLDC Motor
- Fan Speed : 5 Fan Speed + Turbo Mode
- Noise Level : Min 51dB
- Venting Type : Vented or Recirculating System
- Product Dimension : L895 x W386 x H1230mm
- Material : Stainless Steel & Frosted Tempered Glass

Black with Rose Gold

- Compatible i-Sync Gas Hob Model
  - LGH-328T 2B-BL
  - LGH-338T 3B-BL
  - LGH-NT328 2B-GR
  - LGH-588T 2B-FG
  - LGH-688T 3B-FG
- Compatible Charcoal Filter Model
  - CH011



\* Scan for product video

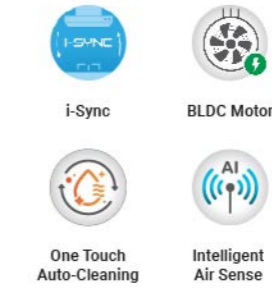
## LCH-SUGI DC-90FB

Retail Price  
W.M. RM 5,300 | E.M. RM 5,565



Package Promo Price with Built-in Hob LGH-EURECA 2B  
**W.M. RM 3,588 | E.M. RM 3,768**

### Features



- Smart Motion Sensor
- Turbo Mode
- Delay Timer
- Wall Panel Protection

### Technical Info

- Suction Power : 2800m<sup>3</sup>/h
- Motor Type : BLDC Motor
- Fan Speed : 5 Fan Speed + Turbo Mode
- Noise Level : Min 52dB
- Venting Type : Vented or Recirculating System
- Product Dimension : L895 x W386 x H1340mm
- Material : Stainless Steel & Frosted Tempered Glass

- Compatible i-Sync Gas Hob Model
  - LGH-328T 2B-BL
  - LGH-338T 3B-BL
  - LGH-NT328 2B-GR
  - LGH-588T 2B-FG
  - LGH-688T 3B-FG

- Compatible Charcoal Filter Model
  - CH011

Black



\* Scan for product video

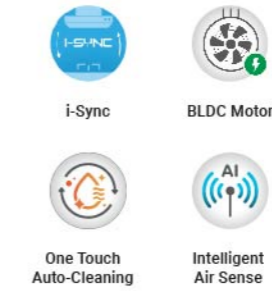
## LCH-MICA-XDC-90BL

Retail Price  
W.M. RM 5,300 | E.M. RM 5,565



Promo Price  
**W.M. RM 1,799 | E.M. RM 1,889**

### Features



- Smart Motion Sensor
- Turbo Mode
- Delay Timer
- Wall Panel Protection

### Technical Info

- Suction Power : 2580m<sup>3</sup>/h
- Motor Type : BLDC Motor
- Fan Speed : 5 Fan Speed + Turbo Mode
- Noise Level : Min 51dB
- Venting Type : Vented or Recirculating System
- Product Dimension : L896 x W352 x H916mm
- Material : Stainless Steel & Tempered Glass

- Compatible i-Sync Gas Hob Model
  - LGH-328T 2B-BL
  - LGH-338T 3B-BL
  - LGH-NT328 2B-GR
  - LGH-588T 2B-FG
  - LGH-688T 3B-FG

- Compatible Charcoal Filter Model
  - CH011

Black



\* Scan for product video

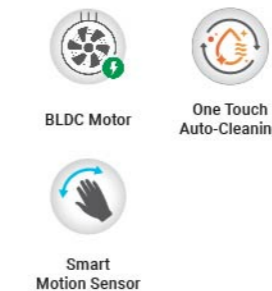
## LCH-ROSEDC-90BL

Retail Price  
W.M. RM 6,100 | E.M. RM 6,405



Package Promo Price with Built-in Hob LGH-EURECA 2B  
**W.M. RM 3,738 | E.M. RM 3,925**

### Features



- Turbo Mode
- Delay Timer
- Detachable Oil Cup

### Technical Info

- Suction Power : 2150m<sup>3</sup>/h
- Motor Type : BLDC Motor
- Fan Speed : 3 Fan Speed + Turbo Mode
- Noise Level : Min 48dB
- Venting Type : Vented or Recirculating System
- Product Dimension : L898 x W327 x H941mm
- Material : Stainless Steel & Tempered Glass

- Compatible Charcoal Filter Model
  - CH011

Black with Rose Gold



\* Scan for product video

## LCH-COPPERDC-GM-90

Retail Price  
W.M. RM 5,700 | E.M. RM 5,985



### Features



BLDC Motor



One Touch Auto-Cleaning



Intelligent Air Sense

- Smart Motion Sensor
- Turbo Mode
- Delay Timer
- Dual Direction
- Wall Panel Protection

### Technical Info

Gun Metal

- Suction Power : 2150m<sup>3</sup>/h
- Motor Type : BLDC Motor
- Fan Speed : 3 Fan Speed + Turbo Mode
- Noise Level : Min 48dB
- Venting Type : Vented or Recirculating System
- Product Dimension : L895 x W350 x H945mm
- Material : Stainless Steel & Tempered Glass
- Compatible Charcoal Filter Model
  - CH011

Package Promo Price with Built-in Hob LGH-EURECA 2B  
W.M. RM 3,488 | E.M. RM 3,663

Built-in Hob selection for the L Shape Hood Package



LGH-EURECA 2B  
worth RM 1,280



LGH-588T 2B-FG  
worth RM 2,800

\*For more Built-in Hob option, please refer to Cooker Hob Series

Purchase with purchase promotion

PWP  
ADD ON RM109

LRC-EA108L  
Digital Rice Cooker  
Worth RM420  
*\*While stocks last*



Kitchen Hood Series

# COMPACT SLANTED HOOD



## LCH-JOLI-90BL

Retail Price  
W.M. RM 4,450 | E.M. RM 4,673



Package Promo Price with Built-in Hob LGH-EURECA 2B  
W.M. RM 2,938 | E.M. RM 3,085

\*Available through selected authorized dealers.

### Features



i-Sync



BLDC Motor



One Touch Auto-Cleaning



Intelligent Air Sense

- Smart Motion Sensor
- Turbo Mode
- Delay Timer
- Colour Control Panel

### Technical Info

Black with Rose Gold

- Suction Power : 2580m<sup>3</sup>/h
- Motor Type : BLDC Motor
- Fan Speed : 5 Fan Speed + Turbo Mode
- Noise Level : Min 51dB
- Venting Type : Vented or Recirculating System
- Product Dimension : L898 x W350 x H1040mm
- Material : Stainless Steel & Tempered Glass
- Compatible i-Sync Gas Hob Model
  - LGH-328T 2B-BL
  - LGH-338T 3B-BL
  - LGH-NT328 2B-GR
  - LGH-588T 2B-FG
  - LGH-688T 3B-FG
- Compatible Charcoal Filter Model
  - CH011 (With Extended Bracket)

## LCH-BARTEK DC-90BL

Retail Price  
W.M. RM 4,000 | E.M. RM 4,200



Package Promo Price with Built-in Hob LGH-EURECA 2B  
W.M. RM 2,588 | E.M. RM 2,718

### Features



i-Sync



BLDC Motor



One Touch Auto-Cleaning



Intelligent Air Sense

- Smart Motion Sensor
- Turbo Mode
- Delay Timer

### Technical Info

Black

- Suction Power : 2580m<sup>3</sup>/h
- Motor Type : BLDC Motor
- Fan Speed : 5 Fan Speed + Turbo Mode
- Noise Level : Min 52dB
- Venting Type : Vented or Recirculating System
- Product Dimension : L897 x W349 x H940mm
- Material : Stainless Steel & Tempered Glass
- Compatible i-Sync Gas Hob Model
  - LGH-328T 2B-BL
  - LGH-338T 3B-BL
  - LGH-NT328 2B-GR
  - LGH-588T 2B-FG
  - LGH-688T 3B-FG
- Compatible Charcoal Filter Model
  - CH011 (With Extended Bracket)

\* Scan for product video



## LCH-DARLEY DC-90BL

Retail Price  
W.M. RM 3,800 | E.M. RM 3,990



Promo Price  
W.M. RM 1,549 | E.M. RM 1,627

### Features



- Smart Motion Sensor
- Turbo Mode
- Delay Timer
- Wall Panel Protection

### Technical Info

Black

- Suction Power : 2100m<sup>3</sup>/h
- Motor Type : DC Motor
- Fan Speed : 5 Fan Speed + Turbo Mode
- Noise Level : Min 50dB
- Venting Type : Vented or Recirculating System
- Product Dimension : L895 x W349 x H1135mm
- Material : Stainless Steel & Tempered Glass

- Compatible i-Sync Gas Hob Model
  - LGH-328T 2B-BL
  - LGH-338T 3B-BL
  - LGH-NT328 2B-GR
  - LGH-588T 2B-FG
  - LGH-688T 3B-FG

- Compatible Charcoal Filter Model
  - CH011 (With Extended Bracket)



\* Scan for product video

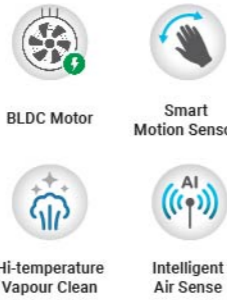
## LCH-90SW-GM

Retail Price  
W.M. RM 6,850 | E.M. RM 7,193



Package Promo Price with Built-in Hob LGH-EURECA 2B  
W.M. RM 4,188 | E.M. RM 4,398

### Features



- Turbo Mode
- Colour Control Panel
- Dual Removable Filters

### Technical Info

Gun Metal

- Suction Power : 2250m<sup>3</sup>/h
- Motor Type : BLDC Motor
- Fan Speed : 4 Fan Speed
- Noise Level : Min 46dB
- Venting Type : Vented
- Product Dimension : L900 x W380 x H830mm
- Material : Stainless Steel & Black Tempered Glass



\* Scan for product video

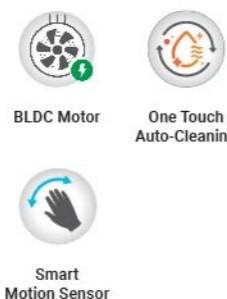
## LCH-EBONY-90BL

Retail Price  
W.M. RM 5,500 | E.M. RM 5,775



Package Promo Price with Built-in Hob LGH-EURECA 2B  
W.M. RM 3,288 | E.M. RM 3,453

### Features



- Turbo Mode
- Colour Control Panel
- Dual Removable Filters

### Technical Info

Black with Rose Gold

- Suction Power : 2150m<sup>3</sup>/h
- Motor Type : BLDC Motor
- Fan Speed : 3 Fan Speed + Turbo Mode
- Noise Level : Min 50dB
- Venting Type : Vented
- Product Dimension : L898 x W250 x H497mm
- Material : Sainless Steel & Tempered Glass



\* Scan for product video

Kitchen Hood Series

# SLANTED HOOD



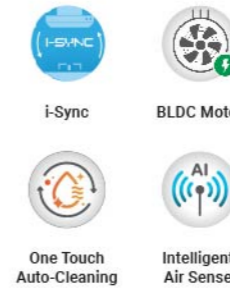
## LCH-LILY DC-90BL

Retail Price  
W.M. RM 3,480 | E.M. RM 3,654



Package Promo Price with Built-in Hob LGH-EURECA 2B  
W.M. RM 2,688 | E.M. RM 2,823

### Features



- Smart Motion Sensor
- Turbo Mode
- Delay Timer

### Technical Info

Black

- Suction Power : 2580m<sup>3</sup>/h
- Motor Type : BLDC Motor
- Fan Speed : 5 Fan Speed + Turbo Mode
- Noise Level : Min 52dB
- Venting Type : Vented or Recirculating System
- Product Dimension : L895 x W350 x H1235mm
- Material : Stainless Steel & Tempered Glass

- Compatible i-Sync Gas Hob Model
  - LGH-328T 2B-BL
  - LGH-338T 3B-BL
  - LGH-NT328 2B-GR
  - LGH-588T 2B-FG
  - LGH-688T 3B-FG

- Compatible Charcoal Filter Model
  - CH007
  - CH011

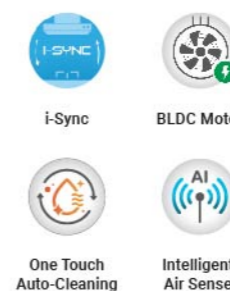
## LCH-NITE DC-90FB

Retail Price  
W.M. RM 3,400 | E.M. RM 3,570



Package Promo Price with Built-in Hob LGH-EURECA 2B  
W.M. RM 2,388 | E.M. RM 2,508

### Features



- Smart Motion Sensor
- Turbo Mode
- Delay Timer
- Hydraulic Push-up Cover

### Technical Info

Black

- Suction Power : 2580m<sup>3</sup>/h
- Motor Type : BLDC Motor
- Fan Speed : 5 Fan Speed + Turbo Mode
- Noise Level : Min 51dB
- Venting Type : Vented or Recirculating System
- Product Dimension : L898 x W389 x H1320mm
- Material : Stainless Steel & Nano Frosted Tempered Glass

- Compatible i-Sync Gas Hob Model
  - LGH-328T 2B-BL
  - LGH-338T 3B-BL
  - LGH-NT328 2B-GR
  - LGH-588T 2B-FG
  - LGH-688T 3B-FG

- Compatible Charcoal Filter Model
  - CH007
  - CH011

Built-in Hob selection for the Compact Slanted & Slanted Hood Package



LGH-EURECA 2B  
worth RM 1,280

\*For more Built-in Hob option, please refer to Cooker Hob Series

Purchase with purchase promotion

PWP  
ADD ON RM109

LRC-EA108L  
Digital Rice Cooker  
Worth RM420

\*While stocks last



# T SHAPE HOOD



## LCH-METAL DC-90GM

Retail Price  
W.M. RM 3,300 | E.M. RM 3,465



Package Promo Price with Built-in Hob **LGH-NT328 2B-GR**  
**W.M. RM 2,738 | E.M. RM 2,875**

### Features



- Smart Motion Sensor
- Delay Timer
- Turbo Mode
- Rectifying Cover Panel

### Technical Info

Gun Metal

- Suction Power : 2580m<sup>3</sup>/h
- Motor Type : BLDC Motor
- Fan Speed : 5 Fan Speed + Turbo Mode
- Noise Level : Min 48dB
- Venting Type : Vented or Recirculating System
- Product Dimension : L897 x W490 x H850mm
- Material : Stainless Steel & Tempered Glass
- Compatible i-Sync Gas Hob Model
  - LGH-328T 2B-BL
  - LGH-338T 3B-BL
  - LGH-NT328 2B-GR
  - LGH-588T 2B-FG
  - LGH-688T 3B-FG
- Compatible Charcoal Filter Model
  - CH011

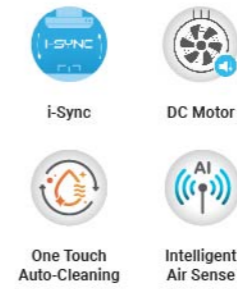
## LCH-MARBLE DC-90BL

Retail Price  
W.M. RM 3,000 | E.M. RM 3,150



Promo Price  
**W.M. RM 1,328 | E.M. RM 1,395**

### Features



- Smart Motion Sensor
- Turbo Mode
- Delay Timer

### Technical Info

Black

- Suction Power : 2050m<sup>3</sup>/h
- Motor Type : DC Motor
- Fan Speed : 5 Fan Speed + Turbo Mode
- Noise Level : Min 48dB
- Venting Type : Vented or Recirculating System
- Product Dimension : L895 x W488 x H858mm
- Material : Stainless Steel & Tempered Glass
- Compatible i-Sync Gas Hob Model
  - LGH-328T 2B-BL
  - LGH-338T 3B-BL
  - LGH-NT328 2B-GR
  - LGH-588T 2B-FG
  - LGH-688T 3B-FG
- Compatible Charcoal Filter Model
  - CH011

## LCH-ROCK-X-90BL

Retail Price  
W.M. RM 2,850 | E.M. RM 2,993



Promo Price  
**W.M. RM 1,099 | E.M. RM 1,154**

### Features



- Delay Timer
- Concave Filter

### Technical Info

Black

- Suction Power : 1500m<sup>3</sup>/h
- Motor Type : AC Motor
- Fan Speed : 3 Fan Speed
- Noise Level : Min 50dB
- Venting Type : Vented or Recirculating System
- Product Dimension : L895 x W488 x H858mm
- Material : Stainless Steel & Tempered Glass
- Compatible Charcoal Filter Model
  - CH007

Built-In Hob selection for the T Shape Hood Package



**LGH-NT328 2B-GR**  
worth RM 1,860

\*For more Built-in Hob option, please refer to Cooker Hob Series

Purchase with purchase promotion

**PWP**  
**ADD ON RM109**

### LRC-EA108L

Digital Rice Cooker  
Worth RM420

\*While stocks last



# ISLAND HOOD



**LCH-8145I-CG**

Black with Champagne Gold



Retail Price  
W.M. RM 4,500 | E.M. RM 4,725

Promo Price  
**W.M. RM 3,600 | E.M. RM 3,780**

### Features



### Technical Info

- Suction Power : 1280m<sup>3</sup>/h
- Motor Type : AC Motor
- Fan Speed : 3 Fan Speed
- Noise Level : Min 50dB
- Venting Type : Recirculating System (Charcoal Filter)
- Product Dimension : L450 x W450 x H420mm (1875 including rope)
- Material : Stainless Steel & Aluminum
- Compatible Charcoal Filter Model : CH 017

**LCH-8245I-CG**

Black with Champagne Gold



Retail Price  
W.M. RM 4,200 | E.M. RM 4,410

Promo Price  
**W.M. RM 3,360 | E.M. RM 3,528**

### Features



### Technical Info

- Suction Power : 1280m<sup>3</sup>/h
- Motor Type : AC Motor
- Fan Speed : 3 Fan Speed
- Noise Level : Min 50dB
- Venting Type : Recirculating System (Charcoal Filter)
- Product Dimension : L420 x W420 x H375mm (1825 including rope)
- Material : Stainless Steel & Aluminum
- Compatible Charcoal Filter Model : CH 017

**LCH-800I-90SS**

Silver



Retail Price  
W.M. RM 6,850 | E.M. RM 7,193

Package Promo Price with Built-in Hob **LGH-EURECA 2B**  
**W.M. RM 5,188 | E.M. RM 5,448**

### Features



### Technical Info

- Suction Power : 1450m<sup>3</sup>/h
- Motor Type : AC Motor
- Fan Speed : 3 Fan Speed
- Noise Level : Min 52dB
- Venting Type : Recirculating System (Charcoal Filter)
- Product Dimension : L899 x W520 x H1035mm
- Material : Stainless Steel

Built-In Hob selection for the Island Hood Package



LGH-EURECA 2B  
worth RM 1,280

\*For more Built-in Hob option, please refer to Cooker Hob Series

Purchase with purchase promotion

**PWP**  
**ADD ON RM109**

**LRC-EA108L**  
Digital Rice Cooker  
Worth RM420

\*While stocks last



# SLIM HOOD



## LCH-620-76B

Matte Black

Retail Price: W.M. RM 1,988 | E.M. RM 2,087  
 Package Promo Price with Built-in Hob **LGH-EURECA 2B**  
**W.M. RM 1,758 | E.M. RM 1,846**



Product Dimension: L750 x W510 x H130mm

### Features

- One Touch Auto-Cleaning
- Twin Motor
- Cone Line Net Filter
- Stainless Steel Oil Cup

### Technical Info

- Suction Power : 1200m<sup>3</sup>/h
- Motor Type : Twin Motor
- Fan Speed : 2 Fan Speed
- Venting Type : Recirculating System (Charcoal Filter)
- Material : Stainless Steel
- Compatible Charcoal Filter Model : CH010

## LCH-620-90B

Matte Black

Retail Price: W.M. RM 2,088 | E.M. RM 2,192  
 Package Promo Price with Built-in Hob **LGH-EURECA 2B**  
**W.M. RM 1,888 | E.M. RM 1,983**



Product Dimension: L895 x W510 x H130mm

## LCH-920-76BL

Black

Retail Price: W.M. RM 1,700 | E.M. RM 1,785  
 Package Promo Price with Built-in Hob **LGH-EURECA 2B**  
**W.M. RM 1,598 | E.M. RM 1,678**



Product Dimension: L757 x W425 x H120mm

### Features

- Smart Motion Sensor
- Twin Motor
- Rectifying Cover Panel
- Magnetic Oil Cup

## LCH-920-90BL

Black

Retail Price: W.M. RM 1,800 | E.M. RM 1,890  
 Package Promo Price with Built-in Hob **LGH-EURECA 2B**  
**W.M. RM 1,698 | E.M. RM 1,783**



Product Dimension: L897 x W425 x H120mm

### Technical Info

- Suction Power : 1200m<sup>3</sup>/h
- Motor Type : Twin Motor
- Fan Speed : 3 Fan Speed
- Venting Type : Recirculating System (Charcoal Filter)
- Material : Stainless Steel
- Compatible Charcoal Filter Model : CH008

## LCH-60L03

Silver

Retail Price: W.M. RM 1,110 | E.M. RM 1,166  
 Package Promo Price with Built-in Hob **LGH-EURECA 2B**  
**W.M. RM 1,180 | E.M. RM 1,239**



Product Dimension: L597 x W480 x H196mm

### Features

- Twin Motor
- Telescopic Design
- 3 Layers Aluminum Filter

## LCH-90L03

Silver

Retail Price: W.M. RM 1,260 | E.M. RM 1,323  
 Package Promo Price with Built-in Hob **LGH-EURECA 2B**  
**W.M. RM 1,350 | E.M. RM 1,418**



Product Dimension: L897 x W480 x H196mm

### Technical Info

- Suction Power : 850m<sup>3</sup>/h
- Motor Type : Twin Motor
- Fan Speed : 2 Speed Rocker Switch
- Venting Type : Recirculating System (Charcoal Filter)
- Material : Stainless Steel
- Compatible Charcoal Filter Model : CH009

## LCH-627-75B

Black

Retail Price: W.M. RM 1,988 | E.M. RM 2,087  
 Package Promo Price with Built-in Hob **LGH-EURECA 2B**  
**W.M. RM 1,838 | E.M. RM 1,930**



Product Dimension: L758 x W500 x H150mm

### Features

- One Touch Auto-Cleaning
- Smart Motion Sensor
- Twin Motor

### Technical Info

- Suction Power : 1200m<sup>3</sup>/h
- Motor Type : Twin Motor
- Fan Speed : 3 Fan Speed
- Venting Type : Vented
- Material : Stainless Steel

## LCH-627-90B

Black

Retail Price: W.M. RM 2,088 | E.M. RM 2,192  
 Package Promo Price with Built-in Hob **LGH-EURECA 2B**  
**W.M. RM 1,958 | E.M. RM 2,056**



Product Dimension: L898 x W500 x H150mm

## LCH-601A-60SS

Silver

Retail Price: W.M. RM 1,050 | E.M. RM 1,103  
 PWP with Built-in Hob **LGH-EURECA 2B**  
**W.M. RM 1,130 | E.M. RM 1,187**



Product Dimension: L599 x W430 x H100mm

### Features

- Twin Motor
- 3 Layers Aluminum Filter

## LCH-601A-90SS LCH-601A-90BL

Silver Black

Retail Price: W.M. RM 1,110 | E.M. RM 1,166  
 PWP with Built-in Hob **LGH-EURECA 2B**  
**W.M. RM 1,180 | E.M. RM 1,239**



Product Dimension: L900 x W430 x H100mm

### Technical Info

- Suction Power : 980m<sup>3</sup>/h
- Motor Type : Twin Motor
- Fan Speed : 3 Speed Push Control
- Venting Type : Recirculating System (Charcoal Filter)
- Material : Stainless Steel
- Compatible Charcoal Filter Model : CH008

# Flame Meets *Precision*

Experience flawless cooking performance where powerful flame meets unmatched control.



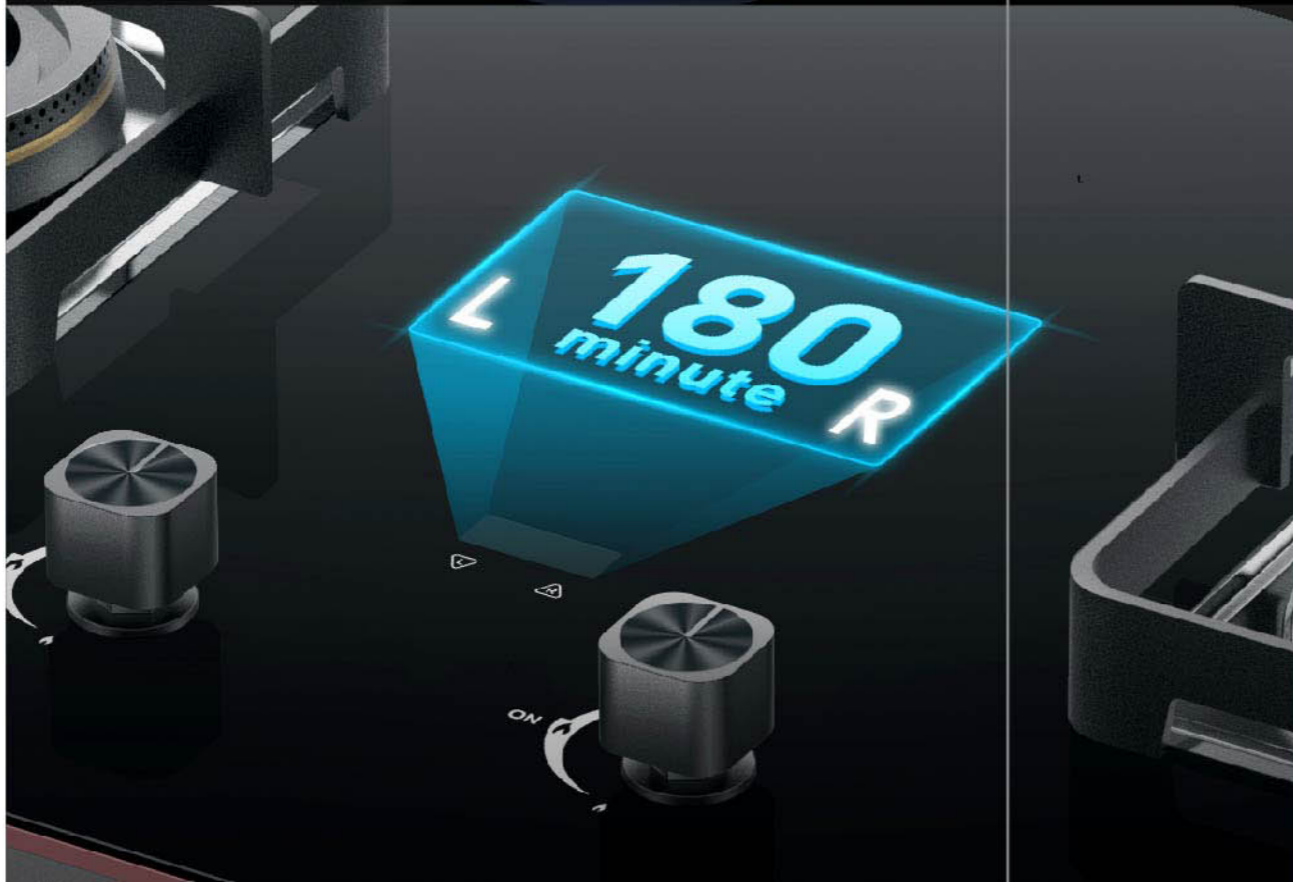
## Burner Technology

Experience powerful, precise heat control with advanced burner technology. Engineered for faster cooking and greater energy efficiency in every meal.



## Smart Timer

Enjoy worry-free cooking with the built-in timer that automatically switches off the hob. Delivering perfect results with added convenience and safety.



## Fast Ignition

Enjoy hassle-free cooking with our fast ignition system, providing a safe and effortless flame start every time you cook.



## Flame Failure Device (Auto Cut-Off)

Safety assured with Flame Failure Device: automatic gas shut-off when flame is extinguished, giving you peace of mind while cooking

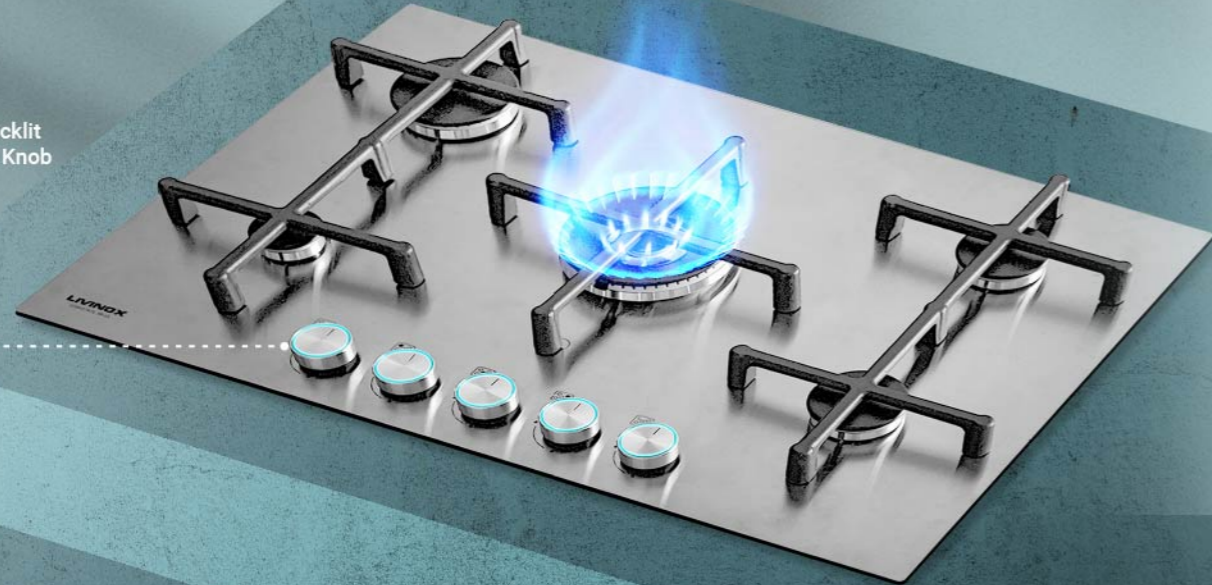


5 Burners Collection

*Built for Bigger Meals*



LED Backlit Control Knob



**Take your culinary potential to the next level with our 5 Burner Gas Hob.**

Its spacious layout includes a powerful central wok burner, perfect for high-heat stir-frying, while four additional burners offer flexibility for boiling, simmering, and sautéing—all at the same time. Built with premium materials and safety features like flame failure protection and auto ignition, this hob delivers both style and substance for everyday cooking and special occasions alike.

Gas Hob  
**LGH-E765L 5B-SS**



Technical Info

- Number of Burners : 5
- Types of Burners : 5 SABAF® Highly Efficient Burners
- Wok Burner (kW) : 4.0
- Rapid Burner (kW) : 3.0
- Semi Rapid Burner (kW) : 1.75 (2 Burners)
- Auxiliary Burner (kW) : 1.0
- Ignition Method : Electric Ignition
- Gas Type Compatibility : LPG
- Pan Support : Cast Iron
- Material : Stainless Steel
- Product Dimension : L760 x W500mm
- Cut-Out Dimension : L735 x W475mm

Features

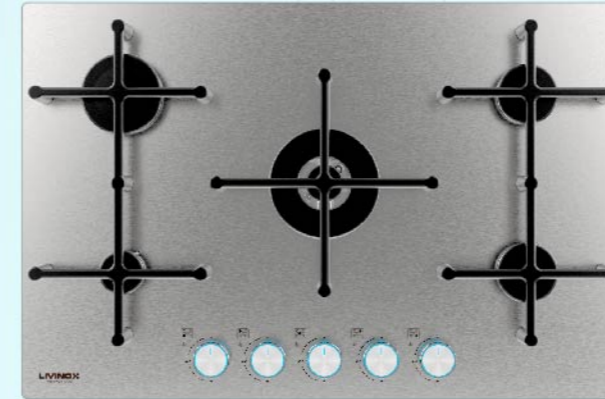
- Rapid Burners
- 3D Burners
- Wok Burner
- 5 SABAF® Highly Efficient Burners
- LED Backlit Control Knob
- Stainless Steel Panel

Retail Price

**W.M. RM 4,000 | E.M. RM 4,200**

Promotion Price

**W.M. RM 3,199 | E.M. RM 3,359**



5 SABAF® Highly Efficient Burners



Auto Ignition



Flame Failure Device (Auto Cut-Off)

Gas Hob  
**LGH-E865 5B-SS**



Technical Info

- Number of Burners : 5
- Types of Burners : 5 SABAF® Highly Efficient Burners
- Wok Burner (kW) : 4.0
- Rapid Burner (kW) : 3.0
- Semi Rapid Burner (kW) : 1.75 (2 Burners)
- Auxiliary Burner (kW) : 1.0
- Ignition Method : Battery Ignition
- Gas Type Compatibility : LPG
- Pan Support : Cast Iron
- Material : Stainless Steel
- Product Dimension : L860 x W500mm
- Cut-Out Dimension : L830 x W473mm

Features

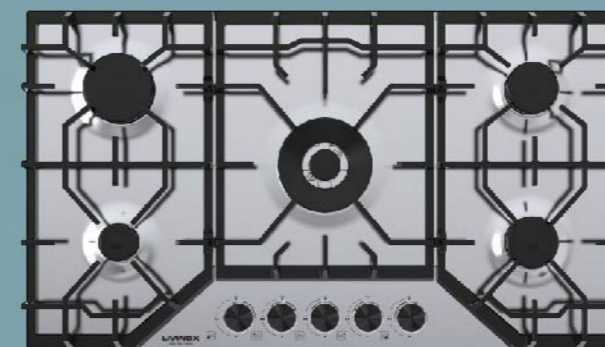
- Rapid Burners
- 3D Burners
- Wok Burner
- 5 SABAF® Highly Efficient Burners
- Stainless Steel Panel

Retail Price

**W.M. RM 3,500 | E.M. RM 3,675**

Promotion Price

**W.M. RM 2,799 | E.M. RM 2,939**



5 SABAF® Highly Efficient Burners



Auto Ignition



Flame Failure Device (Auto Cut-Off)

## Intelligent Flame Sense Collection

LGH-588T 2B-FG & LGH-688T 3B-FG Gas Hob

*Cook. Smart. Style*

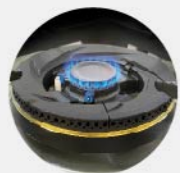


Frosted Tempered Glass with Rose Gold Lining



Tornado Burner

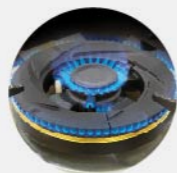
### POWERFUL & STABLE FOR MULTIPLE COOKING ACTIVITIES



Stewing



Simmering



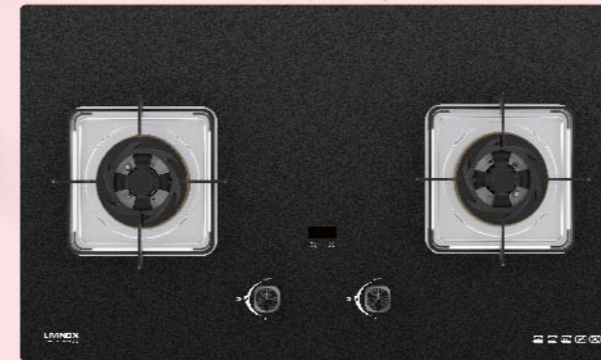
Boiling



Stir-Frying



Deep-Frying



i-Sync



Auto Ignition



Flame Failure Device (Auto Cut-Off)



Smart Timer



Flexi Built-In

### Gas Hob LGH-588T 2B-FG

Black with Rose Gold

#### Technical Info

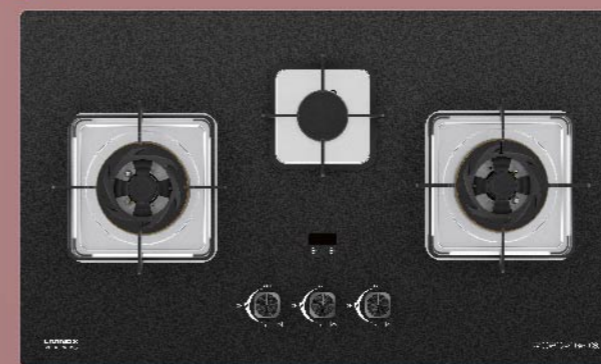
- Number of Burners : 2
- Types of Burners : Tornado Burners
- Heat Power - Left (kW) : 5.5
- Heat Power - Right (kW) : 5.5
- Ignition Method : Battery Ignition
- Gas Type Compatibility : LPG
- Pan Support : Cast Iron Pan Support
- Material : 8mm Nano Frosted Glass with Aluminum Frame
- Product Dimension : L880 x W520mm
- Cut-Out Dimension : L700-825 x W400-480mm

#### Features

- Smart Timer Up to 180 Mins (Left & Right)
- Wind Resistance & Heat Enhancement

Retail Price  
W.M. RM 2,800 | E.M. RM 2,940

Upgrade with Top Up  
**RM 630**  
With Hood + LGH-EURECA 2B Gas Hob package



i-Sync



Auto Ignition



Flame Failure Device (Auto Cut-Off)



Smart Timer



Flexi Built-In

### Gas Hob LGH-688T 3B-FG

Black with Rose Gold

#### Technical Info

- Number of Burners : 3
- Types of Burners : 2x Tornado Burners, 1 Small Burner
- Heat Power - Left (kW) : 5.5
- Heat Power - Right (kW) : 5.5
- Heat Power - Middle (kW) : 1.4
- Ignition Method : Battery Ignition
- Gas Type Compatibility : LPG
- Pan Support : Cast Iron Pan Support
- Material : 8mm Nano Frosted Glass with Aluminum Frame
- Product Dimension : L880 x W520mm
- Cut-Out Dimension : L700-825 x W400-480mm

#### Features

- Smart Timer Up to 180 Mins (Left & Right)
- Wind Resistance & Heat Enhancement

Retail Price  
W.M. RM 3,350 | E.M. RM 3,518

Upgrade with Top Up  
**RM 880**  
With Hood + LGH-EURECA 2B Gas Hob package

# GAS HOB

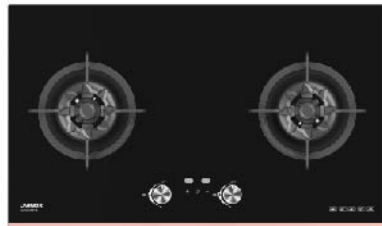


**3S BURNERS**  
STRONGER  
STABLE  
STYLISH

Featured model LGH-OAK 2BFT-BL

## LGH-OAK 2BFT-BL

Retail Price  
W.M. RM 2,700 | E.M. RM 2,835



### Features

- i-Sync
- Fast Ignition
- Flame Failure Device (Auto Cut Off)
- Smart Timer
- Flexi Built-In

• Smart Timer Up to 180 Mins (Left & Right)

### Technical Info

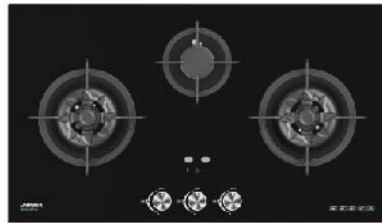
Black with Rose Gold

- Number of Burners : 2
- Types of Burners : 3S Burners
- Heat Power - Left (kW) : 5.5
- Heat Power - Right (kW) : 5.5
- Heat Power - Middle (kW) : 2.0
- Ignition Method : Battery Ignition
- Gas Type Compatibility : LPG
- Pan Support : Heat-Insulated Matt Enamel Steel
- Material : 8mm Tempered Glass
- Product Dimension : L860 x W510mm
- Cut-Out Dimension : L700-810 x W400-450mm

Upgrade with Top Up  
**RM 600**  
With Hood + LGH-EURECA 2B Gas Hob package

## LGH-OAK 3BFT-BL

Retail Price  
W.M. RM 3,250 | E.M. RM 3,413



### Features

- i-Sync
- Auto Ignition
- Flame Failure Device (Auto Cut Off)
- Smart Timer
- Flexi Built-In

• Smart Timer Up to 180 Mins (Left & Right)

### Technical Info

Black with Rose Gold

- Number of Burners : 3
- Types of Burners : 2x 3S Burners, 1 Small Burner
- Heat Power - Left (kW) : 5.5
- Heat Power - Right (kW) : 5.5
- Heat Power - Middle (kW) : 2.0
- Ignition Method : Battery Ignition
- Gas Type Compatibility : LPG
- Pan Support : Heat-Insulated Matt Enamel Steel
- Material : 8mm Tempered Glass
- Product Dimension : L860 x W510mm
- Cut-Out Dimension : L700-810 x W400-450mm

Upgrade with Top Up  
**RM 800**  
With Hood + LGH-EURECA 2B Gas Hob package

## LGH-NT328 2B-GR

Retail Price  
W.M. RM 1,860 | E.M. RM 1,953



### Features

- i-Sync
- Fast Ignition
- Flame Failure Device (Auto Cut Off)
- Smart Timer
- Flexi Built-In

• Smart Timer Up to 180 Mins (Left & Right)

### Technical Info

Grey

- Number of Burners : 2
- Types of Burners : 3S Burners
- Heat Power - Left (kW) : 5.2
- Heat Power - Right (kW) : 5.2
- Ignition Method : Battery Ignition
- Gas Type Compatibility : LPG
- Pan Support : Heat-Insulated Cast Iron
- Material : 8mm Nano Tempered Glass
- Product Dimension : L760 x W450mm
- Cut-Out Dimension : L650-700 x W350-400mm

Nanograde Technology  
• Nano coated  
• Ease of maintenance

## LGH-NT338 3B-GR

Retail Price  
W.M. RM 2,100 | E.M. RM 2,205



### Features

- Flame Failure Device (Auto Cut Off)
- Smart Timer
- Flexi Built-In

• Smart Timer Up to 180 Mins (Left & Right)

### Technical Info

Grey

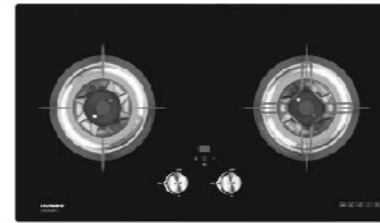
- Number of Burners : 3
- Types of Burners : 2x 3S Burners, 1 Small Burner
- Heat Power - Left (kW) : 5.2
- Heat Power - Right (kW) : 5.2
- Heat Power - Middle (kW) : 1.65
- Ignition Method : Battery Ignition
- Gas Type Compatibility : LPG
- Pan Support : Heat-Insulated Cast Iron
- Material : 8mm Nano Tempered Glass
- Product Dimension : L780 x W450mm
- Cut-Out Dimension : L650-700 x W350-400mm

Nanograde Technology  
• Nano coated  
• Ease of maintenance

Upgrade with Top Up  
**RM 400**  
With Hood + LGH-EURECA 2B Gas Hob package

## LGH-ALDER 2BFT-BL

Retail Price  
W.M. RM 1,700 | E.M. RM 1,785



### Features

- i-Sync
- Auto Ignition
- Flame Failure Device (Auto Cut Off)
- Smart Timer
- Flexi Built-In

• Smart Timer Up to 180 Mins (Left & Right)

### Technical Info

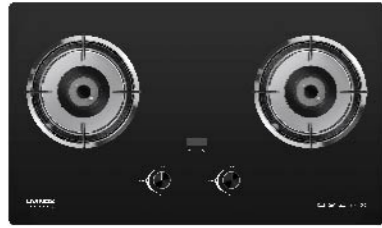
Black

- Number of Burners : 2
- Types of Burners : 3S Burners
- Heat Power - Left (kW) : 5.0
- Heat Power - Right (kW) : 5.0
- Ignition Method : Battery Ignition
- Gas Type Compatibility : LPG
- Pan Support : Heat-Insulated Matt Enamel Steel
- Material : 6mm Tempered Glass
- Product Dimension : L780 x W450mm
- Cut-Out Dimension : L630-700 x W330-400mm

Upgrade with Top Up  
**RM 250**  
With Hood + LGH-EURECA 2B Gas Hob package

## LGH-328T 2B-BL

Retail Price  
W.M. RM 1,760 | E.M. RM 1,848



Upgrade with Top Up  
**RM 300**  
With Hood + LGH-EURECA 2B Gas Hob package

### Features



• Smart Timer Up to 180 Mins (Left & Right)

### Technical Info

Black

- Number of Burners : 2
- Types of Burners : 3S Burners
- Heat Power - Left (kW) : 5.2
- Heat Power - Right (kW) : 5.2
- Ignition Method : Battery Ignition
- Gas Type Compatibility : LPG
- Pan Support : Heat-Insulated Cast Iron
- Material : 8mm Tempered Glass
- Product Dimension : L760 x W450mm
- Cut-Out Dimension : L650-700 x W350-400mm

## LGH-338T 3B-BL

Retail Price  
W.M. RM 2,080 | E.M. RM 2,184



Upgrade with Top Up  
**RM 400**  
With Hood + LGH-EURECA 2B Gas Hob package

### Features



• Smart Timer Up to 180 Mins (Left & Right)

### Technical Info

Black

- Number of Burners : 3
- Types of Burners : 2x 3S Burners, 1 Small Burner
- Heat Power - Left (kW) : 5.2
- Heat Power - Right (kW) : 5.2
- Heat Power - Middle (kW) : 1.65
- Ignition Method : Battery Ignition
- Gas Type Compatibility : LPG
- Pan Support : Heat-Insulated Cast Iron
- Material : 8mm Tempered Glass
- Product Dimension : L780 x W450mm
- Cut-Out Dimension : L650-700 x W350-400mm

## LGH-MAPLE 2BA-BL

Retail Price  
W.M. RM 3,050 | E.M. RM 3,203



Upgrade with Top Up  
**RM 500**  
With Hood + LGH-EURECA 2B Gas Hob package

### Features



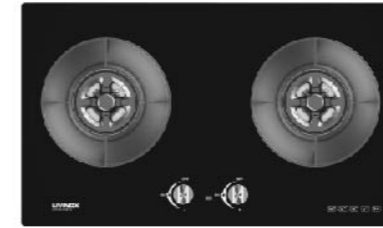
### Technical Info

Black

- Number of Burners : 2
- Types of Burners : Top-Inlet Burners
- Heat Power - Left (kW) : 5.0
- Heat Power - Right (kW) : 5.0
- Ignition Method : Battery Ignition
- Gas Type Compatibility : LPG
- Pan Support : Cast Iron
- Material : 8mm Tempered Glass
- Product Dimension : L780 x W450mm
- Cut-Out Dimension : L650-700 x W350-400mm

## LGH-HOLLY 2BF-BL

Retail Price  
W.M. RM 2,420 | E.M. RM 2,541



Upgrade with Top Up  
**RM 400**  
With Hood + LGH-EURECA 2B Gas Hob package

### Features



### Technical Info

Black

- Number of Burners : 2
- Types of Burners : Sealed Burners
- Heat Power - Left (kW) : 5.0
- Heat Power - Right (kW) : 5.0
- Ignition Method : Battery Ignition
- Gas Type Compatibility : LPG
- Pan Support : Cast Iron
- Material : 8mm Nano Coated Tempered Glass
- Product Dimension : L760 x W450mm
- Cut-Out Dimension : L650-700 x W350-400mm



Dual Flame Control for Inner & Outer Burner

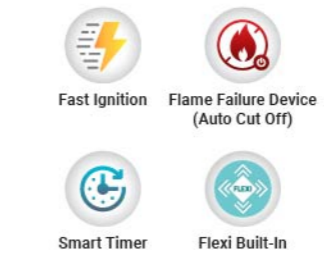
## LGH-PEBBLE 2B-BL

Retail Price  
W.M. RM 2,320 | E.M. RM 2,436



Upgrade with Top Up  
**RM 400**  
With Hood + LGH-EURECA 2B Gas Hob package

### Features



- Delicate Simmer Flame
- Dual Flame Adjustable
- Wind Resistance & Heat Enhancement
- Smart Timer Up to 180 Mins (Left)

### Technical Info

Black with Rose Gold

- Number of Burners : 2
- Types of Burners : Tri-Halo Burners
- Heat Power - Left (kW) : 6.5
- Heat Power - Right (kW) : 6.5
- Ignition Method : Battery Ignition
- Gas Type Compatibility : LPG
- Pan Support : Cast Iron
- Material : 8mm Tempered Glass with Frame
- Product Dimension : L780 x W450mm
- Cut-Out Dimension : L650-700 x W350-400mm



Tri-Flame Control for Inner & Outer Burner



Tri-Halo Burner

## LGH-438B 2B-SL LGH-438G 2B-SL

Retail Price  
W.M. RM 1,850 | E.M. RM 1,943



Upgrade with Top Up  
**RM 300**  
With Hood + LGH-EURECA 2B Gas Hob package

### Features



- Dual Flame Adjustable
- Wind Resistance & Heat Enhancement

### Technical Info

Black Grey

- Number of Burners : 2
- Types of Burners : Sealed Burners
- Heat Power - Left (kW) : 5.5
- Heat Power - Right (kW) : 5.5
- Ignition Method : Battery Ignition
- Gas Type Compatibility : LPG
- Pan Support : Cast Iron
- Material : 8mm Sintered Stone
- Product Dimension : L755 x W450mm
- Cut-Out Dimension : L630 x W330mm



Dual Flame Control for Inner & Outer Burner

## LGH-428 2B-SS

Retail Price  
W.M. RM 1,690 | E.M. RM 1,775



### Features



Flame Failure Device (Auto Cut Off)  
Flexi Built-In

### Technical Info

Silver

- Number of Burners : 2
- Types of Burners : 3S Burners
- Heat Power - Left (kW) : 5.2
- Heat Power - Right (kW) : 5.2
- Ignition Method : Battery Ignition
- Gas Type Compatibility : LPG
- Pan Support : Heat-Insulated Cast Iron
- Material : Stainless Steel
- Product Dimension : L750 x W430mm
- Cut-Out Dimension : L650-700 x W350-400mm

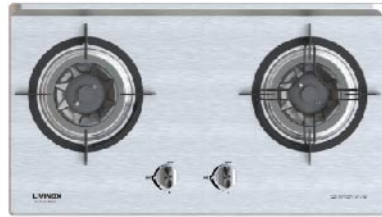
Upgrade with Top Up

**RM 250**

With Hood + LGH-EURECA 2B Gas Hob package

## LGH-TEAK 2BF-SS

Retail Price  
W.M. RM 1,450 | E.M. RM 1,523



### Features



Flame Failure Device (Auto Cut Off)  
Flexi Built-In

### Technical Info

Silver

- Number of Burners : 2
- Types of Burners : Cyclone Burners
- Heat Power - Left (kW) : 5.0
- Heat Power - Right (kW) : 5.0
- Ignition Method : Battery Ignition
- Gas Type Compatibility : LPG
- Pan Support : Heat-Insulated Matt Enamel Steel
- Material : Stainless Steel
- Product Dimension : L710 x W400mm
- Cut-Out Dimension : L630-670 x W330-360mm

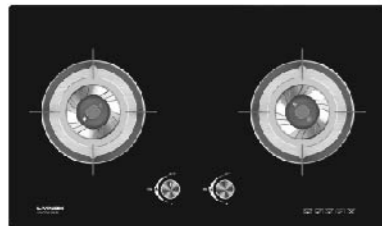
Upgrade with Top Up

**RM 100**

With Hood + LGH-EURECA 2B Gas Hob package

## LGH-CEDAR 2BF-BL

Retail Price  
W.M. RM 1,320 | E.M. RM 1,386



### Features



Flame Failure Device (Auto Cut-Off)  
Flexi Built-In

### Technical Info

Black

- Number of Burners : 2
- Types of Burners : Cyclone Burner
- Heat Power - Left (kW) : 4.6
- Heat Power - Right (kW) : 4.6
- Ignition Method : Battery Ignition
- Gas Type Compatibility : LPG
- Pan Support : Cast Iron
- Material : 8mm Tempered Glass
- Product Dimension : L760 x W450mm
- Cut-Out Dimension : L630-650 x W330-350mm

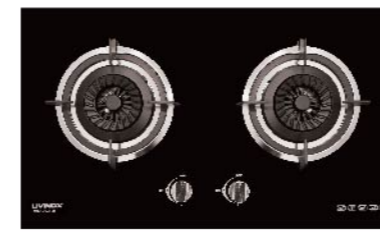
Upgrade with Top Up

**RM 50**

With Hood + LGH-EURECA 2B Gas Hob package

## LGH-EURECA 2B

Retail Price  
W.M. RM 1,280 | E.M. RM 1,344



### Features



Flame Failure Device (Auto Cut-Off)

### Technical Info

Black

- Number of Burners : 2
- Types of Burners : Cyclone Burner
- Heat Power - Left (kW) : 4.5
- Heat Power - Right (kW) : 4.5
- Ignition Method : Battery Ignition
- Gas Type Compatibility : LPG
- Pan Support : Cast Iron
- Material : 8mm Tempered Glass
- Product Dimension : L760 x W440mm
- Cut-Out Dimension : L630 x W330mm

Promotion Price

**RM 678**

# ELECTRIC HOB



Featured model LEH-5118ICS

## LEH-5118ICS

Retail Price  
W.M. RM 3,480 | E.M. RM 3,654



Upgrade with Top Up  
**RM 650**  
With Hood + LGH-EURECA 2B Gas Hob package

### Features



- Double Zone Heating Element
- BBQ Function
- Half-bridge induction feature, lowest at 200w constantly heating
- Keep Warm Function (3 Temperature Setting: 45°C, 65°C, 85°C)
- Flexi Built-In

### Technical Info

Black with Bevel Edge

- Numbers of Zones : 2
- Type : Hybrid Hob
- Left Zone : 2200W Induction Zone & 2800W Booster
- Right Zone : 2200W Ceramic Dual Zone
- Power Level : Up to 12
- Power Supply : 15 Amp
- Timer : Up to 24 Hours
- Control : Touch Control Panel
- Cooking Utensil : Any Flat Pot / Cookware (Ceramic Zone)  
: Stainless Steel / Cast Iron / Iron Cookware (Induction Zone)
- Material : Kanger Glass
- Product Dimension : L730 x W430mm
- Cut-Out Dimension : L665-700 x W385-400mm

## LEH-4118ICS

Retail Price  
W.M. RM 3,250 | E.M. RM 3,413



Upgrade with Top Up  
**RM 550**  
With Hood + LGH-EURECA 2B Gas Hob package

### Features



- Double Zone Heating Element
- BBQ Function
- Keep Warm Function (3 Temperature Setting: 45°C, 65°C, 85°C)
- Residual Heat Indicator (Ceramic Zone)
- Flexi Built-In

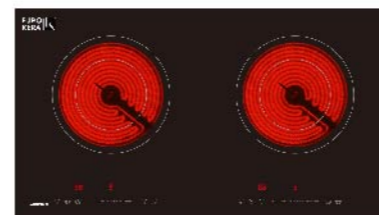
### Technical Info

Matte Brushed Effect

- Numbers of Zones : 2
- Type : Hybrid Hob
- Left Zone : 2000W Induction Zone & 2200W Booster
- Right Zone : 2200W Ceramic Dual Zone
- Power Level : Up to 12
- Power Supply : 15 Amp
- Timer : Up to 24 Hours
- Control : Touch Control Panel
- Cooking Utensil : Any Flat Pot / Cookware (Ceramic Zone)  
: Stainless Steel / Cast Iron / Iron Cookware (Induction Zone)
- Material : Kanger Glass
- Product Dimension : L730 x W430mm
- Cut-Out Dimension : L665-700 x W385-400mm

## LEH-3218CS

Retail Price  
W.M. RM 3,600 | E.M. RM 3,780



Upgrade with Top Up  
**RM 1,100**  
With Hood + LGH-EURECA 2B Gas Hob package

### Features



- Germany EGO Heating Element
- Residual Heat Indicator
- Flexi Built-In

### Technical Info

Black

- Numbers of Zones : 2
- Type : Ceramic Hob
- Left Zone : 2200W
- Right Zone : 2200W
- Sharing Power : Max: 2800W
- Power Level : Up to 9
- Power Supply : 13 Amp
- Timer : Up to 99 Mins
- Control : Touch Control Panel
- Cooking Utensil : Any Flat Pot / Cookware
- Material : Eurokera Glass
- Product Dimension : L730 x W430mm
- Cut-Out Dimension : L665-700 x W385-400mm

## LEH-3118CS

Retail Price  
W.M. RM 3,150 | E.M. RM 3,308



Upgrade with Top Up  
**RM 500**  
With Hood + LGH-EURECA 2B Gas Hob package

### Features



- Double Zone Heating Element
- BBQ Function
- Stir Fry Function
- Residual Heat Indicator
- Flexi Built-In

### Technical Info

Matte Brushed Effect

- Numbers of Zones : 2
- Type : Ceramic Hob
- Left Zone : 2200W
- Right Zone : 2200W
- Power Level : Up to 12
- Power Supply : 15 Amp
- Timer : Up to 24 Hours
- Control : Touch Control Panel
- Cooking Utensil : Any Flat Pot / Cookware
- Material : Kanger Glass
- Product Dimension : L730 x W430mm
- Cut-Out Dimension : L665-700 x W385-400mm

## LEH-3318CS

Retail Price  
W.M. RM 2,500 | E.M. RM 2,625



Upgrade with Top Up  
**RM 400**  
With Hood + LGH-EURECA 2B Gas Hob package

### Features



- Double Zone Heating Element
- Residual Heat Indicator
- Flexi Built-In

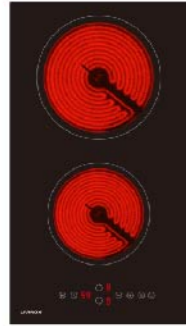
### Technical Info

Black

- Numbers of Zones : 2
- Type : Ceramic Hob
- Left Zone : 2200W
- Right Zone : 2200W
- Sharing Power : Max: 2800W
- Power Level : Up to 9
- Power Supply : 13 Amp
- Timer : Up to 99 Mins
- Control : Touch Control Panel
- Cooking Utensil : Any Flat Pot / Cookware
- Material : Kanger Glass
- Product Dimension : L730 x W430mm
- Cut-Out Dimension : L665-700 x W385-400mm

## LEH-3000C

Retail Price  
W.M. RM 1,460 | E.M. RM 1,533



### Features



Intelligent Function



Child Lock Safety Device



Over-heat Protection



Over-flow Protection

• Residual Heat Indicator

### Technical Info

Black

• Numbers of Zones	: 2
• Type	: Domino Ceramic Hob
• Left Zone	: 1800W
• Right Zone	: 1200W
• Power Level	: Up to 9
• Power Supply	: 15 Amp
• Timer	: Up to 99 Mins
• Control	: Touch Control Panel
• Cooking Utensil	: Any Flat Pot / Cookware
• Material	: Kanger Glass
• Product Dimension	: L520 x W288mm
• Cut-Out Dimension	: L500 x W270mm

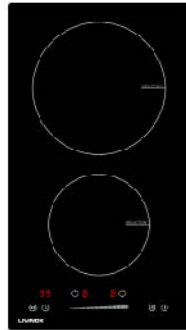
Upgrade with Top Up

**RM 200**

With Hood + LGH-EURECA 2B Gas Hob package

## LEH-2000I

Retail Price  
W.M. RM 1,880 | E.M. RM 1,974



### Features



Intelligent Function



Booster Function



Child Lock Safety Device



Over-heat Protection



Over-flow Protection

- Copper Coil Induction Heating Element
- Pan Sensor
- Individual Timer Control
- Residual Heat Indicator

### Technical Info

Black

• Numbers of Zones	: 2
• Type	: Domino Induction Hob
• Left Zone	: 2000W
• Right Zone	: 1500W
• Power Level	: Up to 9
• Power Supply	: 15 Amp
• Timer	: Up to 99 Mins
• Control	: Touch Control Panel
• Cooking Utensil	: Stainless Steel / Cast Iron / Iron Cookware
• Material	: Kanger Glass
• Product Dimension	: L520 x W288mm
• Cut-Out Dimension	: L500 x W270mm

Upgrade with Top Up

**RM 250**

With Hood + LGH-EURECA 2B Gas Hob package

# Master Cooking *Effortlessly*

Experience flawless cooking performance where powerful flame meets unmatched control.



## Multi-function Cooking Method

Enjoy versatile cooking with multiple modes tailored for baking, roasting, grilling, and more.



## Energy Efficiency

Save more while you cook. Designed for optimal performance with low power consumption, ensuring maximum efficiency without compromising results.



## Safety Feature

Cook with confidence. Integrated protections ensure peace of mind, keeping you and your kitchen safe with every use.



## Heating Technology

Advanced heating elements deliver even heat distribution, minimizing hot spots and ensuring perfectly cooked meals every time.



# COMBI OVEN



## LCO-SB8-70

Retail Price  
W.M. RM 10,000 | E.M. RM 10,500



Purchase with Purchase  
**W.M. RM 5,188 | E.M. RM 5,448**  
With Hood + Gas Hob package

### Features

- 11 Functions
- 70L Capacity
- Steam
- Bake
- Grill
- Air Fry
- Intelligent Menu : 108 Dishes

### Technical Info

- Cooking Function : 11 (8 Baking + 2 Steam + Air Fryer)
- Capacity : 70L
- Temperature Setting : 38 - 250°C
- Rated Power : 3000W
- Pre-Set Timer : Up to 24 Hours
- Control Type : Sensor Touch with LED Display
- Cavity : Enamel Coated
- Shelves Side Support : 5 Layers
- Accessories : Baking Tray, Grill Rack, Air Fry Basket
- Product Dimension : L595 x W565 x H595mm
- Cut Out Dimension : L560 x W550 x H595mm

Black ●

## LCO-SB6A-50

Retail Price  
W.M. RM 8,200 | E.M. RM 8,610



Purchase with Purchase  
**W.M. RM 4,088 | E.M. RM 4,293**  
With Hood + Gas Hob package

### Features

- 11 Functions
- 50L Capacity
- Steam
- Bake
- Grill
- Air Fry
- Intelligent Menu : 68 Dishes

### Technical Info

- Cooking Function : 11 (8 Baking + 2 Steam + Air Fryer)
- Capacity : 50L
- Temperature Setting : 38 - 250°C
- Rated Power : 2000W
- Pre-Set Timer : Up to 24 Hours
- Control Type : Sensor Touch with LED Display
- Cavity : Enamel Coated
- Shelves Side Support : 5 Layers
- Accessories : Wire Rack, Air Fry Basket
- Product Dimension : L595 x W550 x H460mm
- Cut Out Dimension : L560 x W550 x H450mm

Black ●

# BUILT-IN OVEN



## LBO-LINOX 18F-75SS

Retail Price  
W.M. RM 7,900 | E.M. RM 8,295



Purchase with Purchase  
**W.M. RM 4,188 | E.M. RM 4,398**  
With Hood + Gas Hob package

### Features

- 18 Functions
- 75L Capacity
- Grill
- Bake
- Eco Mode
- Smart Control

- With Rotisserie
- Telescopic Runner
- Smart Control

### Technical Info

- Cooking Function : 18
- Capacity : 75L
- Temperature Setting : 50 - 250°C
- Rated Power : 2800W
- Pre-Set Timer : Up to 24 Hours
- Control Type : Digital Touch Panel
- Cavity : Enamel Coated
- Shelves Side Support : 5 Layers
- Accessories : Rack, Oven Tray, Food Probe
- Glass Door : Removable Triple Layer Glass
- Product Dimension : L598 x W577 x H598mm
- Cut Out Dimension : L600 x W585 x H600mm

Black ●

## LBO-LINOX 9E4T-87SS

Retail Price  
W.M. RM 6,500 | E.M. RM 6,825



Purchase with Purchase  
**W.M. RM 3,388 | E.M. RM 3,558**  
With Hood + Gas Hob package

### Features

- 9 Functions
- 87L Capacity
- Grill
- Bake
- Grade A Energy Savings
- Steam Clean

- With Rotisserie
- Steam Cleaning
- Telescopic Runner
- Made in Europe

### Technical Info

- Cooking Function : 9
- Capacity : 87L
- Temperature Setting : 40 - 240°C
- Rated Power : 2400W
- Pre-Set Timer : Up to 24 Hours
- Control Type : Mechanical Knobs with Digital Touch Panel
- Cavity : Enamel Grey Coated
- Shelves Side Support : 6 Layers
- Accessories : Grill Tray, Standard Tray
- Glass Door : Removable Triple Layer Glass
- Product Dimension : L595 x W565 x H595mm
- Cut Out Dimension : L560 x W550 x H580mm

Black ●

Grill	Grill & Fan	Half Grill	Top & Bottom Heating	Top Heating	Bottom Heating	Top & Bottom Heating With Fan	Bottom Heating with Fan	Fan-Assisted	Defrost	Reheat	Drying	Turbo Heating With Fan	Rotisserie	Rotisserie Grill	Rotisserie Grill With Fan	Food Probe	Sabbath	Steam Cleaning
✓	✓	✓	✓	✓	✓	✓	✓	✓	✓	✓	✓	✓	✓	✓	✓	✓	✓	✓
✓	✓	✓	✓	✓	✓	✓	✓	✓	✓	✓	✓	✓	✓	✓	✓	✓	✓	✓

## LBO-LINOX 10F-75GM

Retail Price  
W.M. RM 5,000 | E.M. RM 5,250

Purchase with Purchase

**W.M. RM 2,438 | E.M. RM 2,560**

With Hood + Gas Hob package



### Features



11 Functions



75L Capacity



Grill



Bake



Air Fry



Pizza Function



Grade A  
Energy Savings

• Child Lock Function

### Technical Info

- Cooking Function : 11
- Capacity : 75L
- Temperature Setting : 50 - 250°C
- Rated Power : 2800W
- Pre-Set Timer : Up to 24 Hours
- Control Type : Digital Control Panel
- Cavity : Enamel Coated
- Shelves Side Support : 5 Layers
- Accessories : Grill Tray, Standard Tray, Air Fryer Tray
- Glass Door : Removable Triple Layer Glass
- Product Dimension : L598 x W577 x H598mm
- Cut Out Dimension : L600 x W585 x H600mm

Gun Metal

## LBO-306-60BL

Retail Price  
W.M. RM 2,600 | E.M. RM 2,730



### Features



6 Functions



60L Capacity



Grill



Grade A  
Energy Savings

- Safety Thermostat
- Internal Halogen

### Technical Info

- Cooking Function : 6
- Capacity : 60L
- Temperature Setting : 50 - 250°C
- Rated Power : 2800W
- Pre-Set Timer : Up to 120 Minutes
- Control Type : Mechanical Knobs
- Cavity : Enamel Coated
- Shelves Side Support : 5 Layers
- Accessories : Grill Tray, Standard Tray
- Glass Door : Removable Triple Layer Glass
- Product Dimension : L595 x W498 x H600mm
- Cut Out Dimension : L565 x W495 x H595mm

Gun Metal

## LBO-LINOX 10F-75BL

Retail Price  
W.M. RM 4,900 | E.M. RM 5,145

Purchase with Purchase

**W.M. RM 2,388 | E.M. RM 2,508**

With Hood + Gas Hob package

## LBO-LINOX 6F-75SS

Retail Price  
W.M. RM 3,500 | E.M. RM 3,675



### Features



6 Functions



75L Capacity



Grill



Bake



Grade A  
Energy Savings

• With Rotisserie

### Technical Info

- Cooking Function : 6
- Capacity : 75L
- Temperature Setting : 50 - 250°C
- Rated Power : 2800W
- Pre-Set Timer : Up to 120 Minutes
- Control Type : Mechanical Knobs
- Cavity : Enamel Coated
- Shelves Side Support : 5 Layers
- Accessories : Grill Tray, Standard Tray
- Glass Door : Removable Triple Layer Glass
- Product Dimension : L598 x W577 x H598mm
- Cut Out Dimension : L600 x W585 x H600mm

Black

## LSO-A428-SS

Retail Price  
W.M. RM 5,300 | E.M. RM 5,565



### Features



8 Pre-Set  
Menu



42L Capacity



Steam

- Sleep Mode
- Child Lock Safety Device

### Technical Info

- Cooking Function : 8 Pre-Set Menu
- Capacity : 42L
- Temperature Setting : 38 - 100°C
- Rated Power : 1600W
- Pre-set Timer : Up to 99 Minutes
- Control Type : Sensor Touch with LED Display
- Cavity : Enamel Coated
- Shelves Side Support : 3 Layers
- Accessories : Steam Tray
- Product Dimension : L595 x W528 x H453mm
- Cut Out Dimension : L565 x W550 x H450mm

Black

Purchase with Purchase

**W.M. RM 1,888 | E.M. RM 1,983**

With Hood + Gas Hob package

Purchase with Purchase

**W.M. RM 2,988 | E.M. RM 3,138**

With Hood + Gas Hob package



Grill



Grill & Fan



Air Fry



Top & Bottom  
Heating



Top Heating



Bottom Heating



Top & Bottom  
Heating  
With Fan



Defrost



Pizza Mode



Turbo Heating  
With Fan



Rotisserie

LBO-LINOX 10F-75GM/BL



LBO-LINOX 6F-75SS



Steam



Grill



Grill & Fan



Grill Heating  
with Fan



Turbo Heating  
With Fan



Defrost

LBO-306-60BL



LBO-A428-SS



# MICROWAVE

Series



## LMW-925-BL

Retail Price  
W.M. RM 3,500 | E.M. RM 3,675



Purchase with Purchase  
**W.M. RM 1,788 | E.M. RM 1,878**  
With Hood + Gas Hob package

### Features



- Defrost by Weight & Time Setting
- 30 Seconds Quick Start

### Technical Info

Black ●

- Programme : 8 Auto Menu
- Capacity : 25L
- Power Level : 5
- Time Setting : Up to 95 Minutes
- Rated Input Power : 1450W (Microwave)
- Rated Output Power : 1100W (Grill)
- Turntable Diameter : 2400W (Convection)
- Control Type : 900W (Microwave)
- Cavity : Ø 315mm
- Accessories : 1 x Glass Turntable
- Material : Stainless Steel & Glass Door
- Product Dimension : L595 x W471 x H388mm
- Cut Out Dimension : L600 x W550 x H382mm

## LMW-928

Retail Price  
W.M. RM 3,020 | E.M. RM 3,171



Purchase with Purchase  
**W.M. RM 1,388 | E.M. RM 1,458**  
With Hood + Gas Hob package

### Features



- Defrost by Weight & Time Setting
- Recirculating Fan

### Technical Info

Silver ●

- Programme : 8 Auto Menu
- Capacity : 28L
- Power Level : 10
- Time Setting : Up to 95 Minutes
- Rated Input Power : 1450W (Microwave)
- Rated Output Power : 1100W (Grill)
- Turntable Diameter : 900W (Microwave)
- Control Type : Ø 315mm
- Cavity : Digital Control Panel
- Accessories : Stainless Steel Chamber
- Material : 1 x Glass Turntable
- Product Dimension : Stainless Steel & Tempered Glass
- Cut Out Dimension : L595 x W400 x H388mm
- L600 x W550 x H378mm

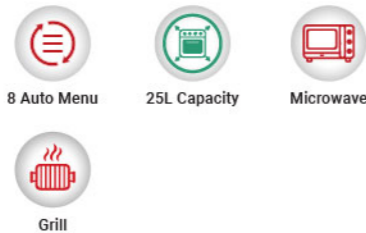
## LMW-259X-BL

Retail Price  
W.M. RM 2,500 | E.M. RM 2,625



Purchase with Purchase  
**W.M. RM 949 | E.M. RM 997**  
With Hood + Gas Hob package

### Features



- Defrost by Weight & Time Setting
- Mute Function
- ECO Mode

### Technical Info

Black ●

- Programme : 8 Auto Menu
- Capacity : 25L
- Power Level : 10
- Time Setting : Up to 95 Minutes
- Rated Input Power : 1400W (Microwave)
- Rated Output Power : 1000W (Grill)
- Control Type : 900W (Microwave)
- Cavity : Digital Control Panel
- Accessories : Stainless Steel
- Material : 1 x Glass Turntable
- Product Dimension : Stainless Steel & Tempered Glass
- Cut Out Dimension : L595 x W395 x H390mm
- L560 x W410 x H365mm

# RANGE COOKER

Series



## LFC-9609-110SS



**MANUAL STEAM CLEANING**  
The easiest way of cleaning the cavity

STEP 1 Place 400ml of water into the tray, and use the lower heating function, set oven temperature to 70°C for 30mins.

STEP 2 After 30 mins and use cloth to wipe it clean.

Retail Price  
W.M. RM 10,388 | E.M. RM 10,907  
Promotion Price  
**W.M. RM 7,799 | E.M. RM 8,189**

### Technical Info

- Gas Hob
  - Number of Burners : 5
  - Type of Burners : SABAF
  - Wok Burner (3.6kW) : 1
  - Large Burner (2.9kW) : 1
  - Middle Burner (1.7kW) : 2
  - Auxiliary Burner (0.95kW) : 1
  - Ignition Method : Electric Ignition
  - Gas Type Compatibility : LPG
  - Pan Support : Cast Iron
  - Material : Polished Stainless Steel Table Top
- Oven
  - Cooking Function : 9
  - Capacity : 110L
  - Temperature Setting : 50 - 280°C
  - Rated Power : 3250W
  - Pre-Set Timer : Up to 24 Hours
  - Control Type : Mechanical Knobs
  - Cavity : Enamel Coated
  - Shelves Side Support : 4 Layers
  - Accessories : Deep Tray, Wire Tray
  - Glass Door : Removable Double Layer Glass
  - Product Dimension : L900 x W610 x H955mm

## LFC-9607-110B



Retail Price  
W.M. RM 5,988 | E.M. RM 6,287  
Promotion Price  
**W.M. RM 4,499 | E.M. RM 4,724**

### Technical Info

- Gas Hob
  - Number of Burners : 5
  - Wok Burner (3.6kW) : 1
  - Large Burner (2.9kW) : 1
  - Middle Burner (1.7kW) : 2
  - Auxiliary Burner (0.95kW) : 1
  - Ignition Method : Electric Ignition
  - Gas Type Compatibility : LPG
  - Pan Support : Enamel / Wok Adaptor
  - Material : Enamel Table Top
- Oven
  - Cooking Function : 7
  - Capacity : 110L
  - Temperature Setting : 40 - 240°C
  - Rated Power : 3250W
  - Timer Setting : Up to 90 Minutes
  - Control Type : Mechanical Knobs
  - Cavity : Enamel Coated
  - Shelves Side Support : 4 Layers
  - Accessories : Deep Tray, Wire Tray
  - Glass Door : Removable Double Layer Glass
  - Product Dimension : L900 x W610 x H870mm



Model	Manual Steam Cleaning	Top & Bottom Heating with Fan	Top & Bottom Heating	Bottom Heating	Bottom Heating with Fan	Top Heating	Top Heating with Fan	Grill	Grill with Fan	Turbo Heating Fan	Fan	Lamp Oven	Lamp Oven & Fan
LFC-9609-110SS	✓	✓	✓	✓	✓	✓	✓	✓	✓	✓	✓	✓	✓
LFC-9607-110B					✓	✓	✓	✓	✓				✓

# DISHWASHER

Series



Sensor Touch Control



Child Lock Safety Device



Pre-Set Timer



Dual Zone Wash Function



Upper Basket



Cutlery Tray



Lower Basket



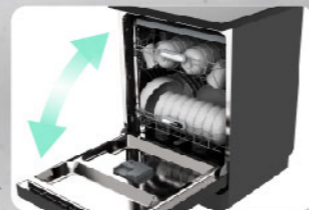
**72°C Hygiene Wash**  
The dishwasher sprays high-temperature water during the wash cycle, effectively eliminating loads of bacteria and germs.



**Height-adjustable Upper Basket**  
Adjustable upper rack in the dishwasher accommodates diverse dish sizes, offering flexibility for loading dishes, glasses, utensils, and cookware.



**Dual Zone Wash Function**  
Conserve energy by utilizing either the upper or lower rack when your dishwasher isn't fully loaded.



**Auto Open & Close**  
Upon completion of the cycle, the dishwasher's door open & close automatically, facilitating efficient steam release and thorough drying of dishes.



**ECO Mode**  
Enjoy efficient dishwashing with reduced water temperature and optimized cycle time, delivering spotless results while saving energy.



**Self Clean**  
The dishwasher is rated A for fast drying, boasts versatile features for efficient dish cleaning, including capacity, energy efficiency, and low noise.



**UV Light Sterilization**  
Effectively eliminates up to 99.9% of bacteria and germs with built-in UV light for safer, healthier cleaning.

\* Functions above may vary for selected model.

## LDW-16P-11BL

Retail Price  
W.M. RM 6,500 | E.M. RM 6,825



16 Place Setting



11 Washing Program



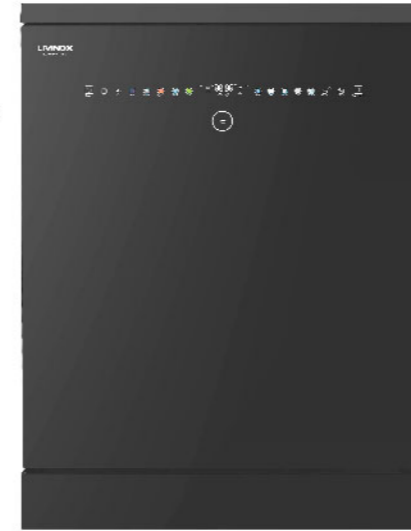
Dual BLDC Motor



UV Light Sterilization



Automated Door



Purchase with Purchase  
**W.M. RM 3,688 | E.M. RM 3,873**  
With Hood + Gas Hob package



### Washing Programs

- Auto
- Intensive
- Normal
- ECO
- Rapid
- Soak
- Hygiene
- Night
- 1H
- Self Clean
- Dry Only

#### Special Function

**Fresh Air Storage System**: Circulates fresh air to prevent odors and moisture, keeping dishes clean and safe for up to 168 hours after wash.

**Fresh Produce Care**: Specially designed cycle that gently soaks and rinses fruits and vegetables with clean water, removing dirt, pesticides, and impurities while preserving freshness.

Black

### Technical Info

- Capacity : 16 Place Setting
- Programs : 11
- Motor Type : Dual BLDC Motor
- Energy Efficient Grade : A++
- Energy Consumption Per Cycle : 0.80 kWh
- Water Consumption Per Cycle : 12L
- Water pressure (flow pressure) : 0.04-1.0MPa=0.4-10 bar
- Noise Level (dB) : 49 dB
- Control Display : Sensor Touch with LED Display
- Pre-Set Timer : Up to 24 Hours
- Spray Arm : 3 Spray Arms (Upper + Middle + Low)
- Accessories : Cutlery Rack, Upper Basket, Lower Basket
- Product Dimension : L598 x W570 x H765mm
- Cut Out Dimension : L600 x W575 x H770mm

## LDW-14P-8BL

Retail Price  
W.M. RM 6,100 | E.M. RM 6,405



14 Place Setting



8 Washing Program



DC Motor



Purchase with Purchase  
**W.M. RM 3,488 | E.M. RM 3,663**  
With Hood + Gas Hob package



### Washing Programs

- Auto
- Intensive
- Normal
- ECO
- Rapid
- Soak
- 90min
- Glass

#### Special Functions

- Extra Cleaning
- Extra Drying
- Express

Black

### Technical Info

- Capacity : 14 Place Setting
- Programs : 8
- Motor Type : DC Motor
- Energy Efficient Grade : A+++
- Energy Consumption Per Cycle : 0.83 kWh
- Water Consumption Per Cycle : 9.9L
- Water pressure (flow pressure) : 0.04-1.0MPa=0.4-10 bar
- Noise Level (dB) : 47 dB
- Control Display : Sensor Touch with LED Display
- Pre-Set Timer : Up to 24 Hours
- Spray Arm : 3 Spray Arms (Upper + Middle + Low)
- Accessories : Cutlery rack x 1, Upper Basket x 1, Lower Basket x 1
- Product Dimension : L598 x W600 x H845mm
- Cut Out Dimension : L450 x W580 x H820mm

## What is Charcoal Filter?

CH 011



CH 007  
CH 008  
CH 009



CH 014  
CH 015



### What is Charcoal Filter?

A charcoal filter is a filter made with activated carbon (charcoal) that helps to absorb & neutralize odors, smoke and grease from the air. It is designed for recirculating kitchen hoods to capture grease, smoke, and odors from cooking.

### How does it work?

It purifies the air before recirculating it back into the kitchen, maintaining a fresher and more comfortable cooking environment without the need for external ducting.

\*Pictures are for illustration purpose only.

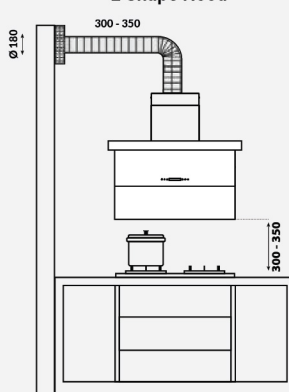
## KITCHEN HOOD

All dimensions in mm

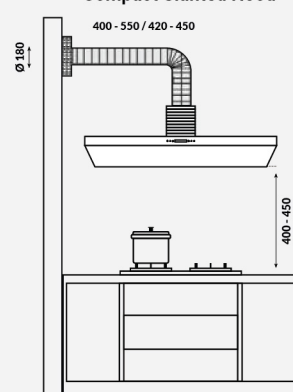
### Installation Guide

\*Remarks: Additional 50mm clearance is required if gas hob with cast iron pan support is used.

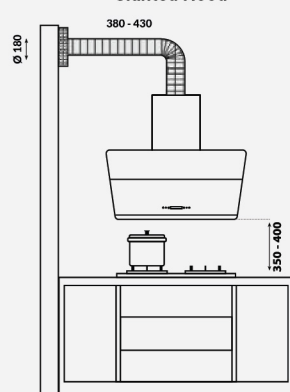
#### L Shape Hood



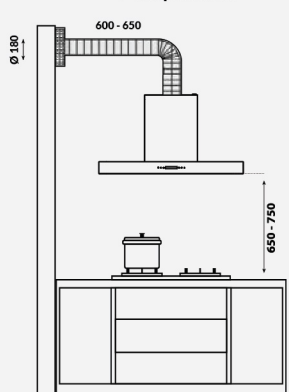
#### Compact Slanted Hood



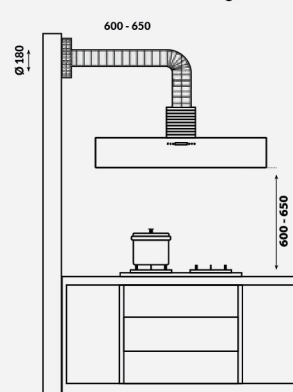
#### Slanted Hood



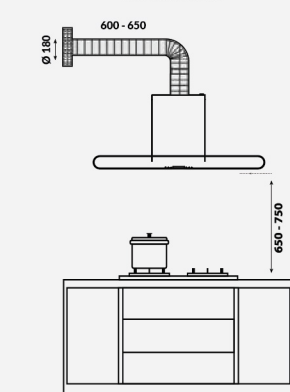
#### T Shape Hood



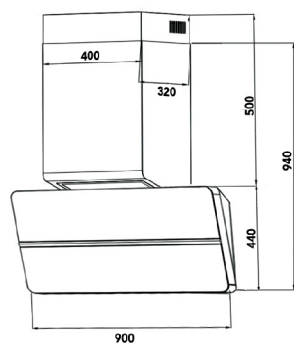
#### Slim Hood / Ceiling Hood



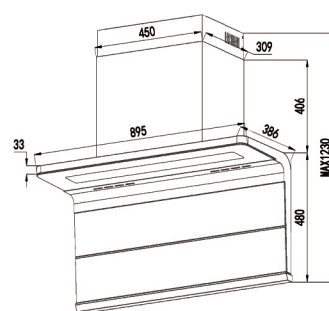
#### Island Hood



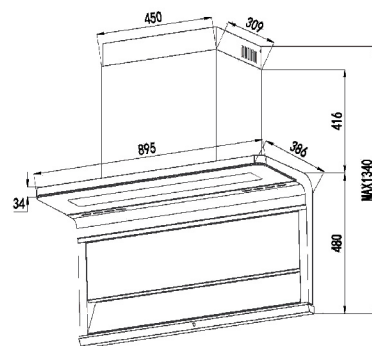
### L Shape Hood



LCH-SH40-90BL



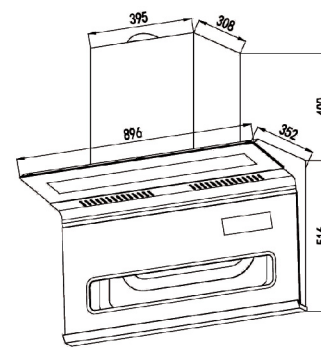
LCH-ANGEL DC-90FB



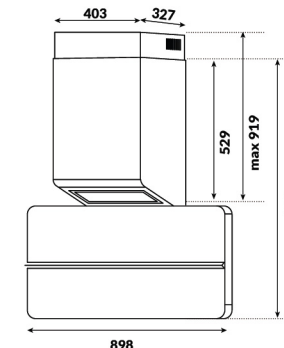
LCH-SUGI DC-90FB

## KITCHEN HOOD

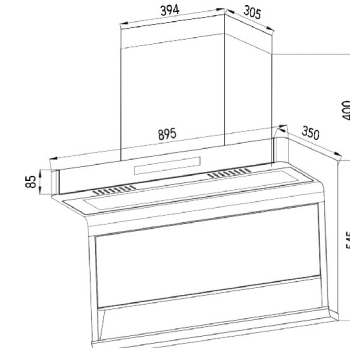
All dimensions in mm



LCH-MICA-XDC-90BL

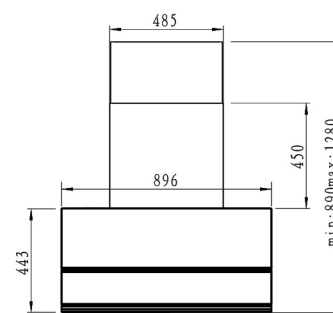


LCH-ROSEDC-90BL

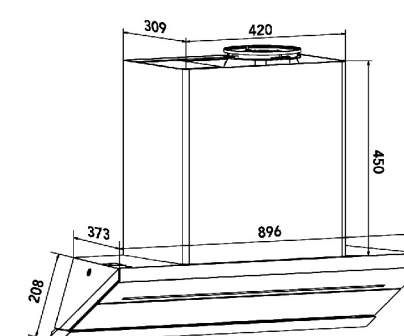


LCH-COPPERDC-GM-90

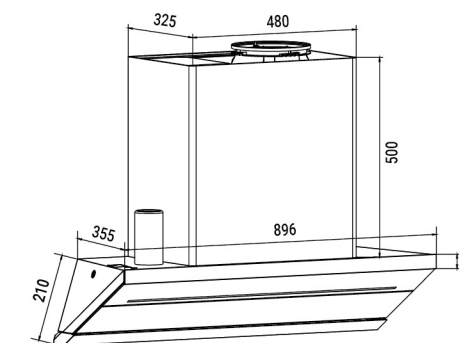
### Compact Slanted Hood



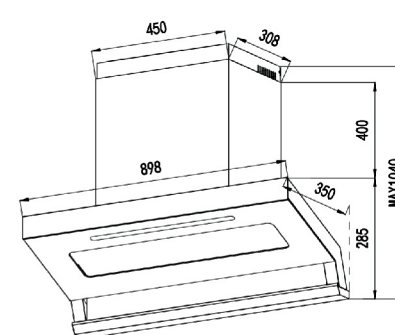
LCH-1016-90GM



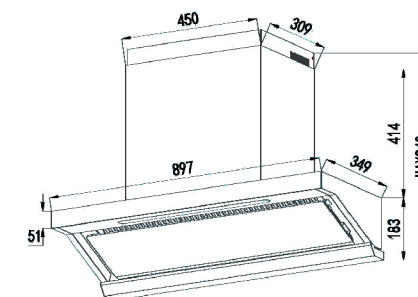
LCH-1025-90GM



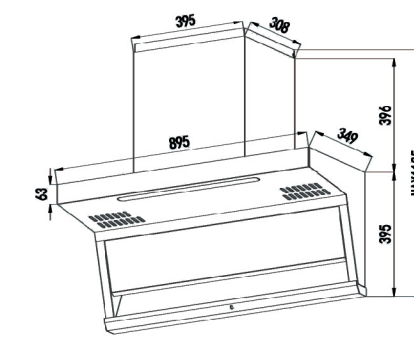
LCH-MERCURY-90SV



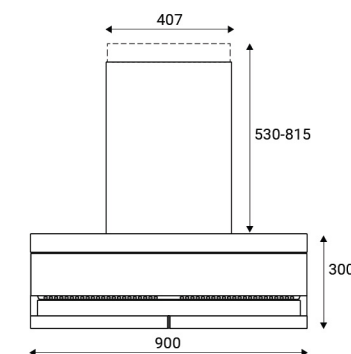
LCH-JOLI-90BL



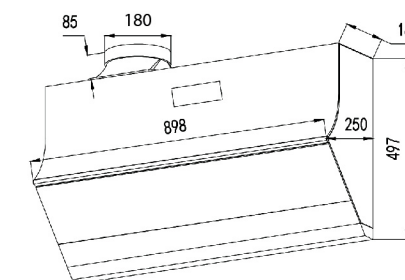
LCH-BARTEK DC-90BL



LCH-DARLEY DC-90BL



LCH-90SW-GM

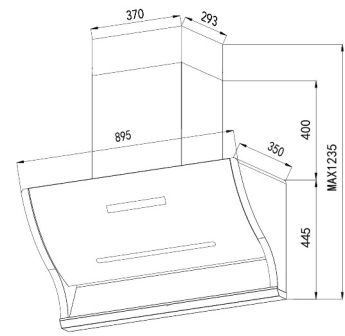


LCH-EBONY-90BL

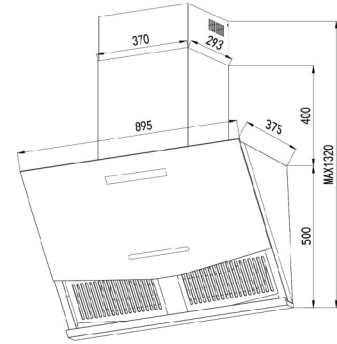
KITCHEN HOOD

All dimensions in mm

Slanted Hood

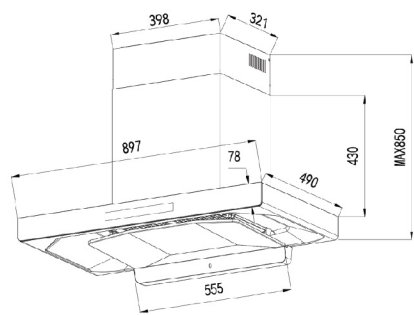


LCH-LILY DC-90BL

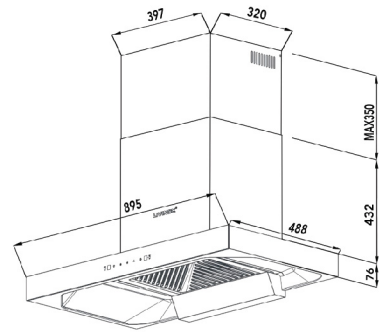


LCH-NITE DC-90FB

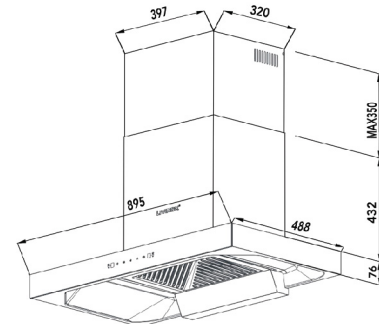
T Shape Hood



LCH-METAL DC-90GM

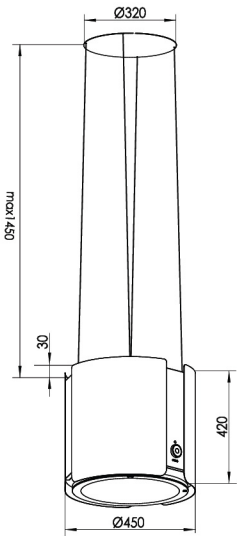


LCH-MARBLE DC-90BL

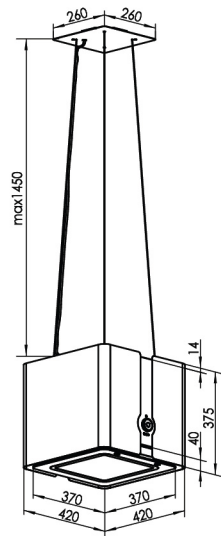


LCH-ROCK-X-90BL

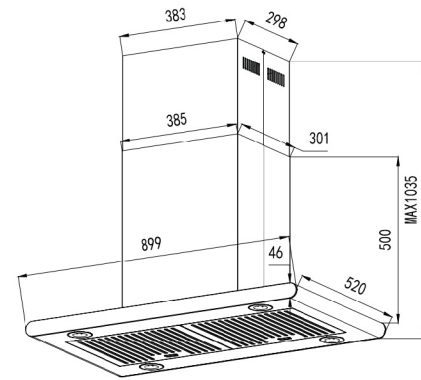
Island Hood



LCH-8145I-CG

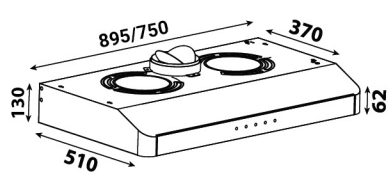


LCH-8245I-CG

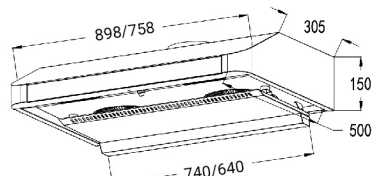


LCH-800I-90SS

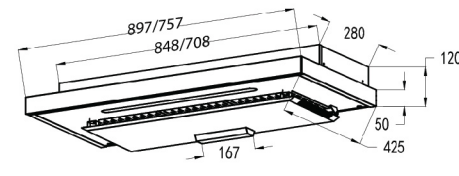
Slim Hood



LCH-620-90B/  
LCH-620-76B



LCH-627-90B/  
LCH-627-75B

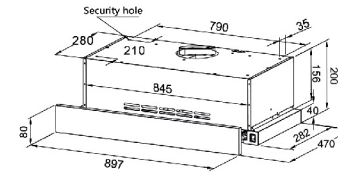


LCH-920-90BL/  
LCH-920-76BL

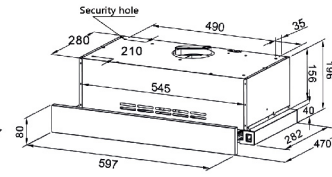
KITCHEN HOOD

All dimensions in mm

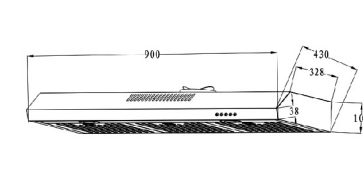
Slim Hood



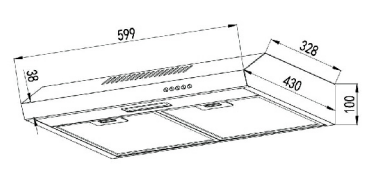
LCH-90L03



LCH-60L03



LCH-601A-90SS/  
LCH-601A-90BL

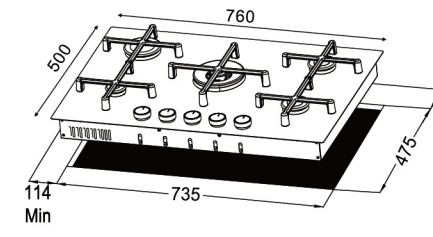


LCH-601A-60SS

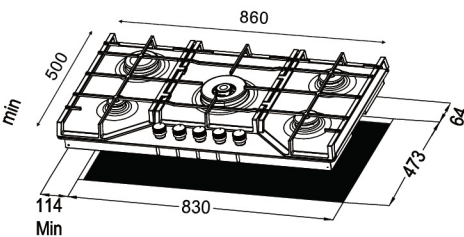
COOKER HOB

All dimensions in mm

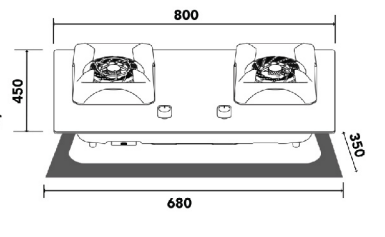
Gas Hob



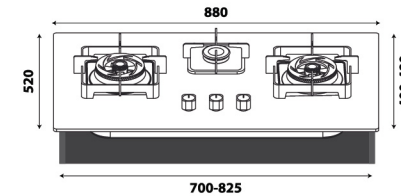
LGH-E765L 5B-SS



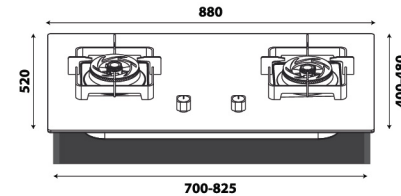
LGH-E865L 5B-SS



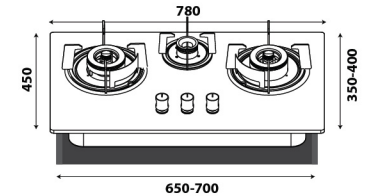
LGH-2016 2B-GM



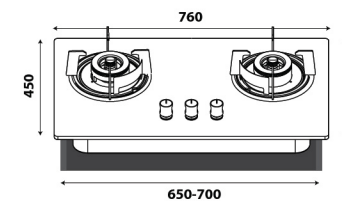
LGH-688T 3B-FG  
(FLEXIBLE DIMENSION)



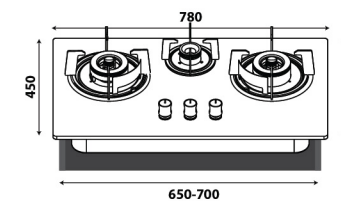
LGH-588T 2B-FG  
(FLEXIBLE DIMENSION)



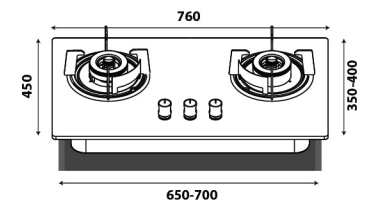
LGH-NT338 3B-GR  
(FLEXIBLE DIMENSION)



LGH-NT328 2B-GR  
(FLEXIBLE DIMENSION)

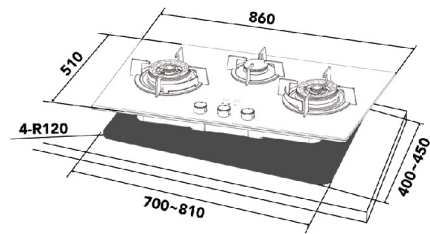


LGH-338T 3B-BL  
(FLEXIBLE DIMENSION)

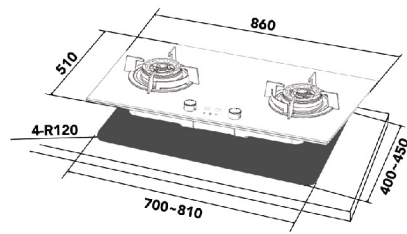


LGH-328T 2B-BL  
(FLEXIBLE DIMENSION)

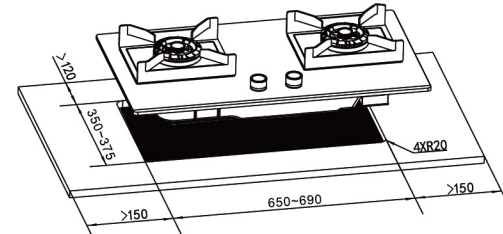
Gas Hob



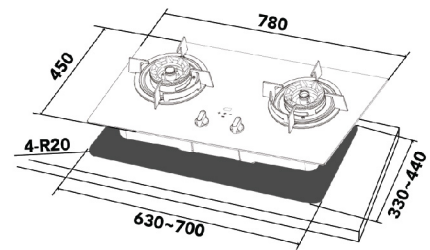
LGH-OAK 3BFT-BL



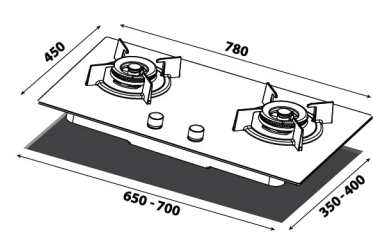
LGH-OAK 2BFT-BL



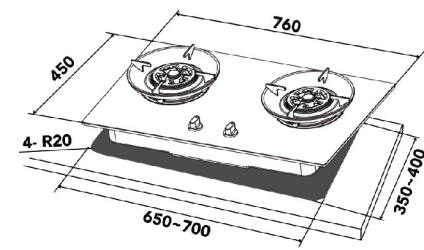
LGH-OLIVE 2BFT-SV



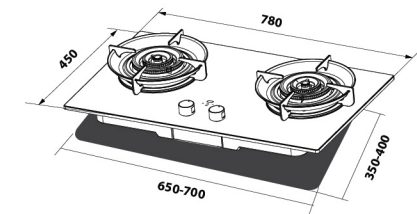
LGH-ALDER 2BFT-BL



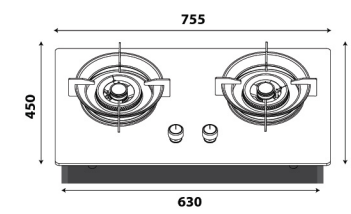
LGH-MAPLE 2BA-BL  
(FLEXIBLE DIMENSION)



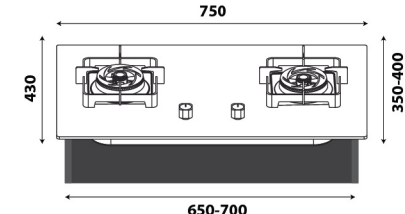
LGH-HOLLY 2BF-BL  
(FLEXIBLE DIMENSION)



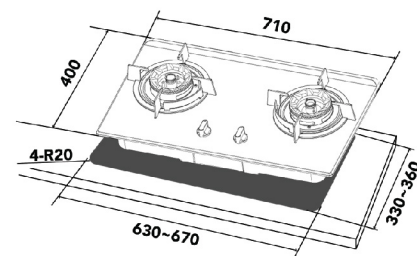
LGH-PEBBLE 2B-BL  
(FLEXIBLE DIMENSION)



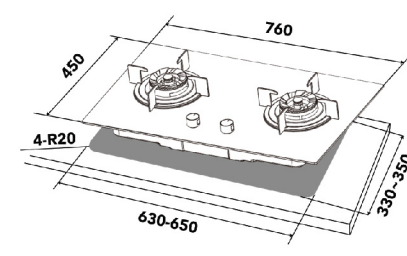
LGH-438B 2B-SL/  
LGH-438G 2B-SL



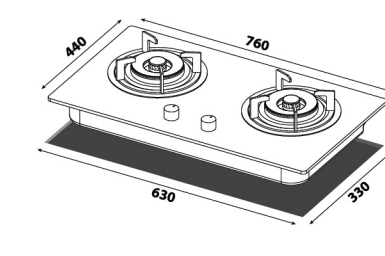
LGH-428 2B-SS  
(FLEXIBLE DIMENSION)



LGH-TEAK 2BF-SS  
(FLEXIBLE DIMENSION)

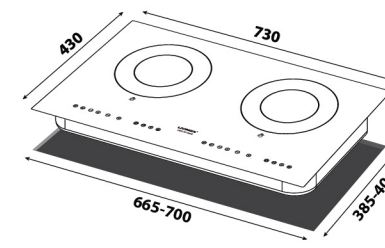


LGH-CEDAR 2BF-BL  
(FLEXIBLE DIMENSION)

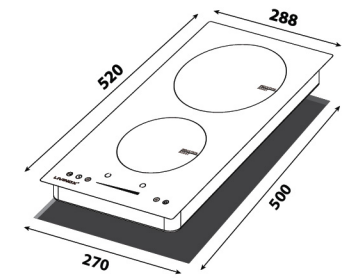


LGH-EURECA 2B

Electric Hob



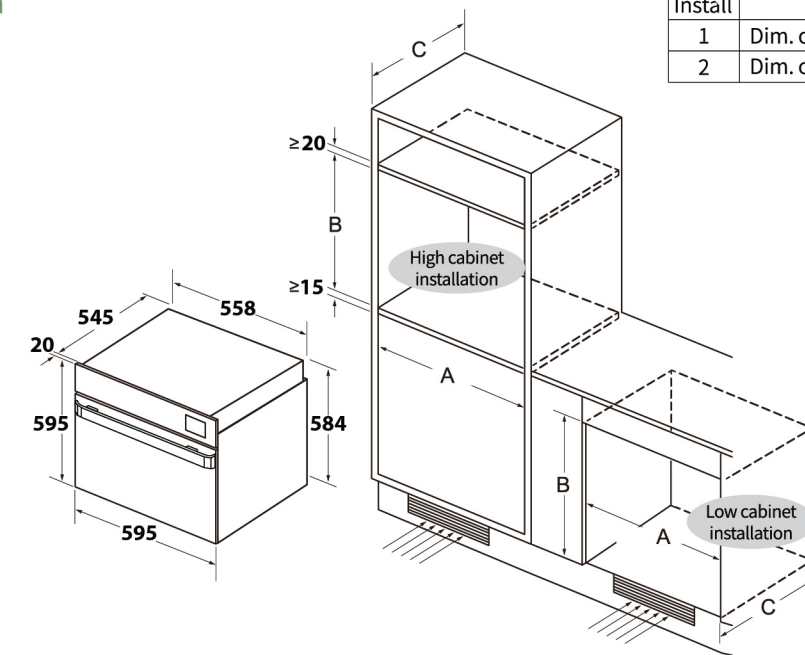
LEH-5118ICS / LEH-4118ICS / LEH-3118CS / LEH-3318CS / LEH-3218CS  
(FLEXIBLE DIMENSION)



LEH-3000C / LEH-2000I

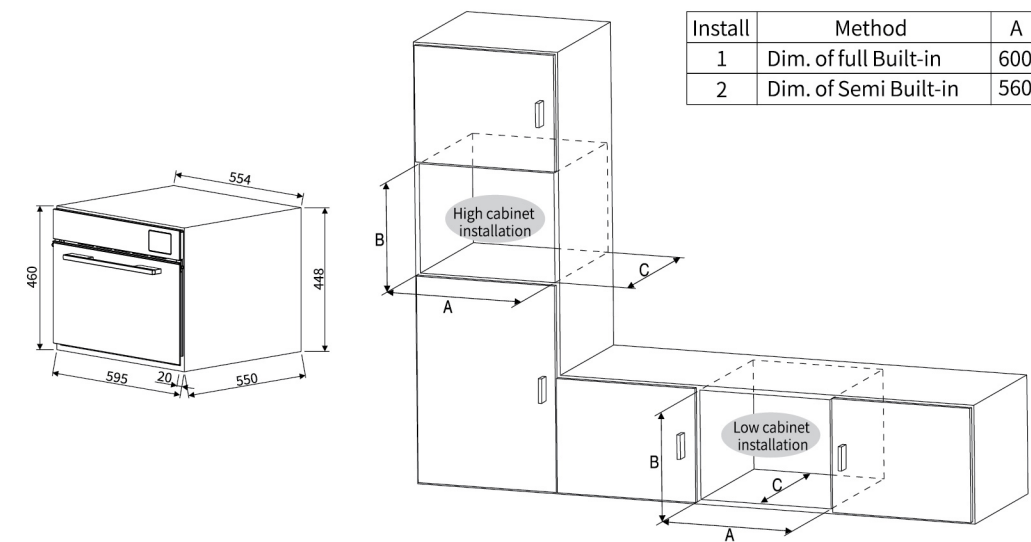
Combi Oven

Install	Method	A	B	C
1	Dim. of full Built-in	600	600	≥610
2	Dim. of Semi Built-in	562	590	≥560



LC0-SB8-70

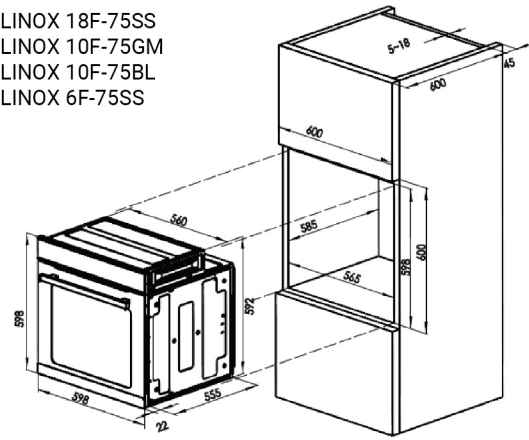
Install	Method	A	B	C
1	Dim. of full Built-in	600	450	≥600
2	Dim. of Semi Built-in	560	450	≥560



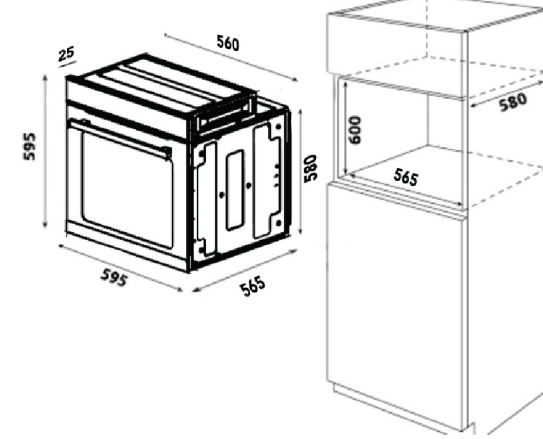
LC0-SB6A-50

Oven

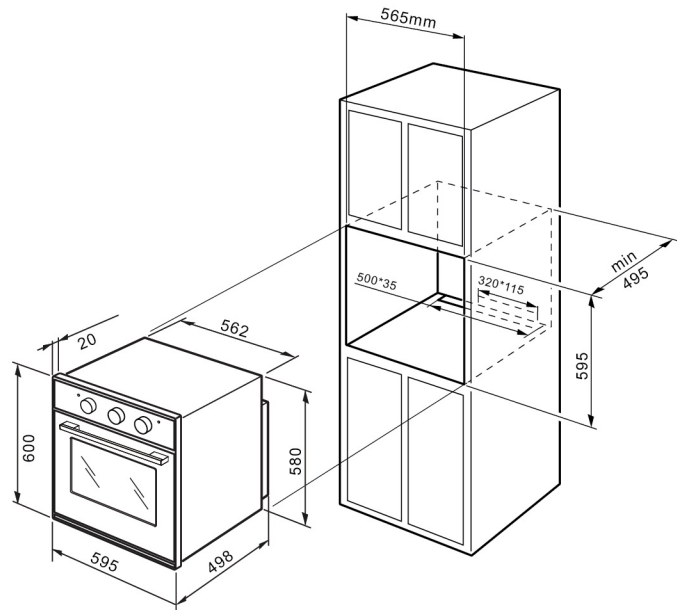
LBO-LINOX 18F-75SS  
LBO-LINOX 10F-75GM  
LBO-LINOX 10F-75BL  
LBO-LINOX 6F-75SS



LBO-LINOX 9E4T-87SS

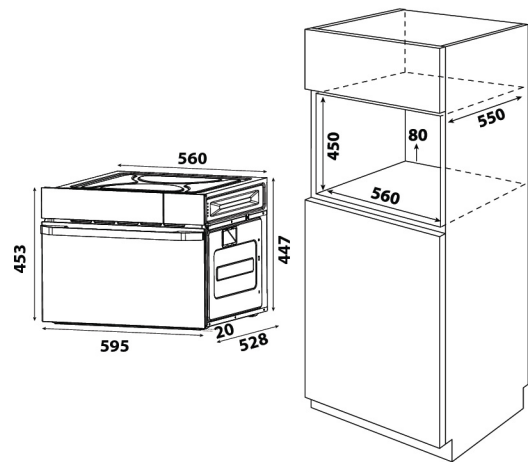


LBO-306-60BL

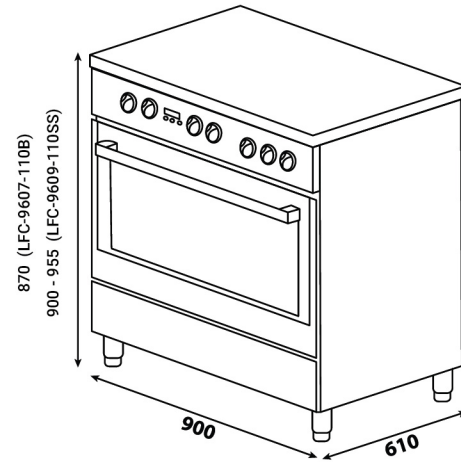


Steam Oven

Range Cooker

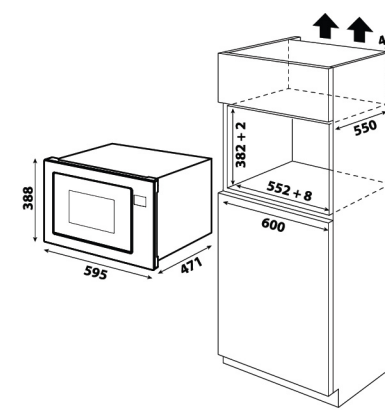


LSO-428-SS

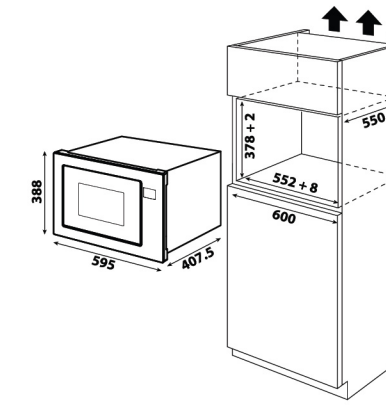


LFC-9609-110SS  
LFC-9607-110B

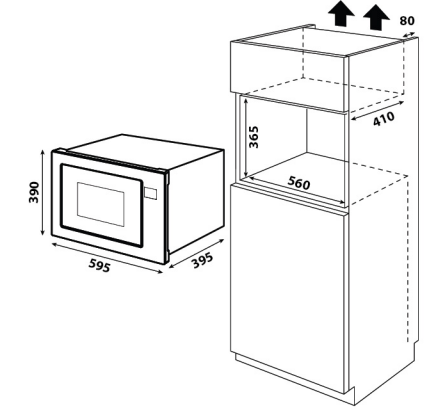
Microwave



LMW-925-BL



LMW-928

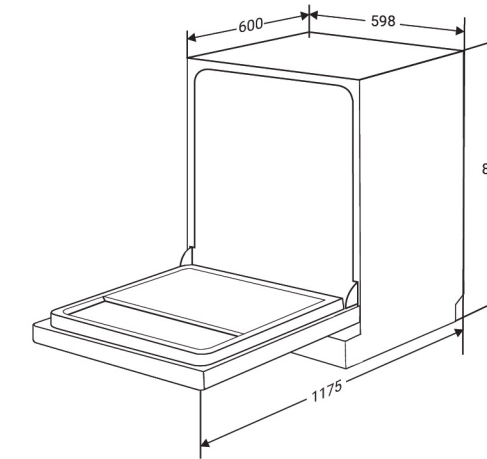


LMW-259X-BL

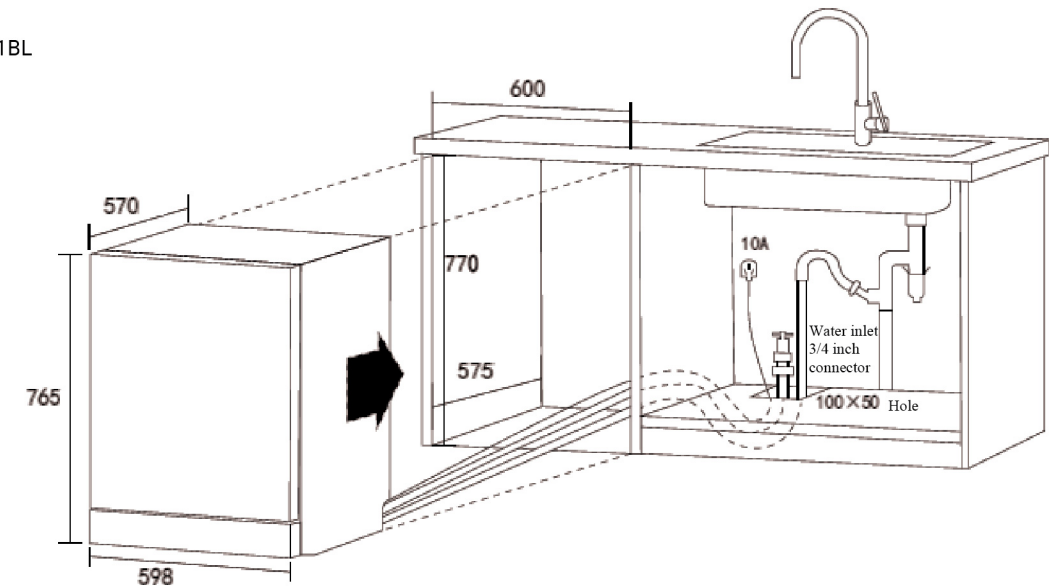
DISHWASHER

Dishwasher

LDW-14P-8BL



LDW-16P-11BL



Built-In Installation  
(For the integrated model)



**\* For Selected Hood Motor Only**

\* Not applicable for  
LCH-601A-60SS.90SS / 90BL  
LCH-60L03 / LCH-90L03



**\* For General Parts Component**



**\* For Website Registration**

\* Terms and Conditions apply.

All prices, pictures, colours, models and specification are for reference purpose only and subject to change without prior notice. Livinox Malaysia Sdn. Bhd. reserves the right to change any of the terms & conditions, if deemed necessary.

# LIVINOX

**Livinox Malaysia Sdn Bhd** (1089457-U)  
No. 32A, Jalan Teknologi 3/3A, Taman Sains Selangor 1,  
Kota Damansara, 47810 Petaling Jaya, Selangor, Malaysia.

General Line: +603-6150 1810  
Customer Service Line: +603-6150 7810

Authorized Dealer



ONLINE WARRANTY



WEBSITE



FACEBOOK



INSTAGRAM