

EVO

INTELLIGENT WATER CLOSET

WI-165W

S-Trap 225-275 mm

SP: **RM3,299** NETT

L700 x W390 x H470 mm

S-Trap 225-275 mm

5L Dynamic Vortex Flush



FC-WI165
Filter Cartridge

LP : RM 50



FL-IWC
Foam Liquid

LP : RM 10



BF-WI165
Built-in Fragrance

LP : RM 5



BCD-WI165
Built-in Carbon
Deodorization

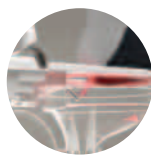
LP : RM 10



Protective Bubble
Shield



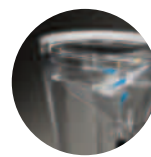
Built-in
Filter



Infrared
Assistive
Illumination



UV Light
Sterilization



Deodorization



App Control



Built-in Tank
& Powerful
Silent Pump



Aromatherapy



Flushing After
Seat Closed



Dual Water Inlet



Instant Water
Heating System



Feminine Wash



Back Wash



Automatic Flip
Cover



Automatic
Flushing Sensor



Microwave
Sensor



Foot Push Button



Ambient Light



LED Night Light



Nano Antibacterial
Material



Remote Control



Energy Saving
Mode



Blackout Flushing
Button



Pressure
Adjustment



Warm Air Dryer
Temperature
Adjustment

VIO

INTELLIGENT WATER CLOSET



WI-166P-W

P-Trap 180 mm

SP: **RM2,299** NETT

WI-166W

S-Trap 275-325 mm

SP: **RM2,099** NETT

L680 x W380 x H460 mm

5L Dynamic Vortex Flush



FC-WI166
Filter Cartridge

LP : RM 50



FL-IWC
Foam Liquid

LP : RM 10



BF-WI166
Built-in Fragrance

LP : RM 5



Protective Bubble
Shield



Built-in
Filter



Infrared
Assistive
Illumination



UV Light
Sterilization



Built-in Tank
& Powerful
Silent Pump



Aromatherapy



Flushing After
Seat Closed



Dual Water Inlet



Instant Water
Heating System



Feminine Wash



Back Wash



Automatic Flip
Cover



Automatic
Flushing Sensor



Microwave
Sensor



Foot Push Button



Ambient Light



LED Night Light



Nano Antibacterial
Material



Remote Control



Energy Saving
Mode



Blackout Flushing
Button

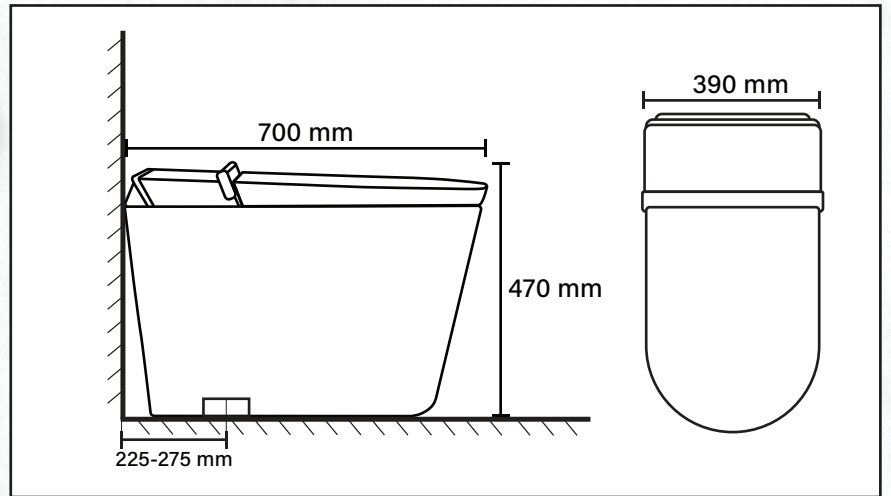


Pressure
Adjustment

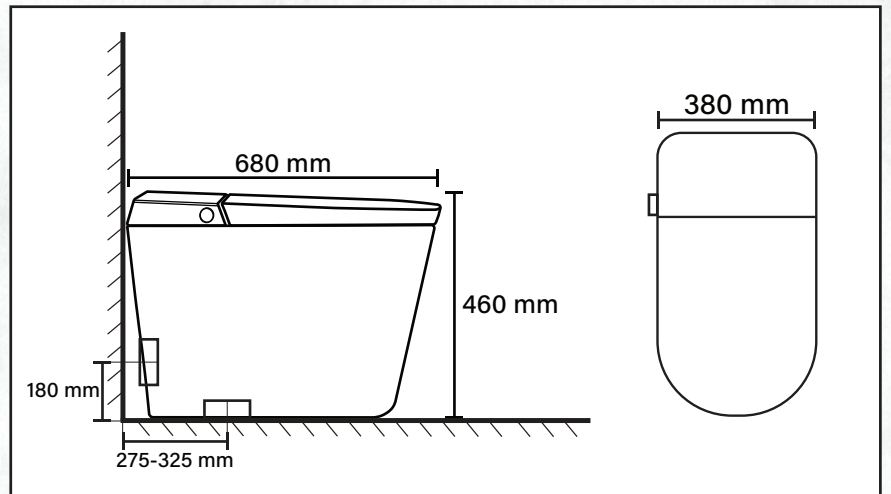


Warm Air Dryer
Temperature
Adjustment

EVO WI165W



VIO WI166PW/WI166W



CERAMIC
GLAZE



PRODUCT
ACCESSORIES



Warranty Registration